

How To Measure For Your Made-To-Measure Perfect Fit Blind



Tel: 0845 533 1023

Before You Choose Perfect Fit blinds

- A) Ensure your window frames are uPVC.
 - B) Ensure there is a 6mm clearance all around the outside of your window beading (the uPVC frame) to allow enough room for the Perfect-Fit.
 - C) Seals must not protrude over the glass by more than 6mm.
- If the seal is compressible, you can take a 'bead to bead' measurement. If not, then take a 'seal to seal' measurement

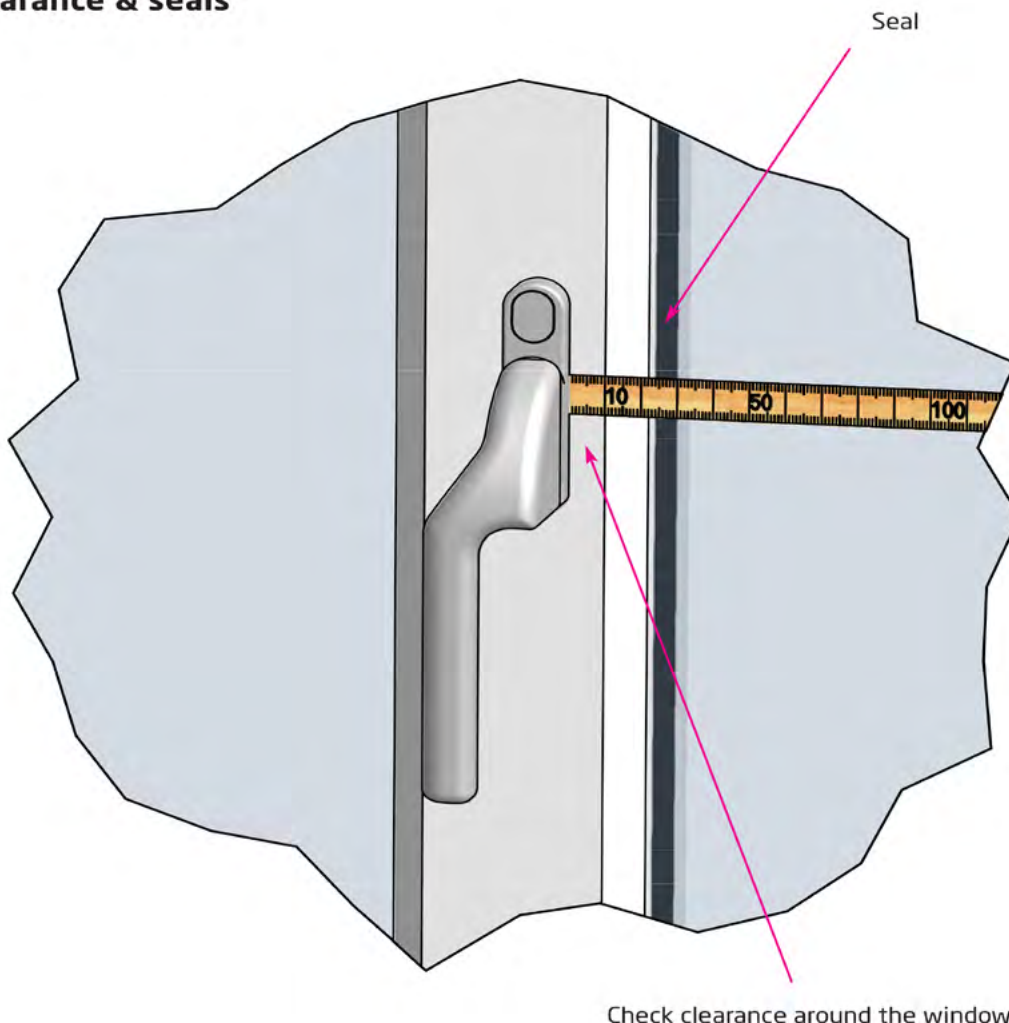
What You Will Need

- A) A tape measure - metal one's are best
- B) A pencil and a paper

Step 1

- A) Seals must not protrude over the glass by more than 6mm.
- B) If the seal is compressible, you can take a 'bead to bead' measurement. If not, then take a 'seal to seal' measurement.

Clearance & seals



Check clearance around the window

When You Measure

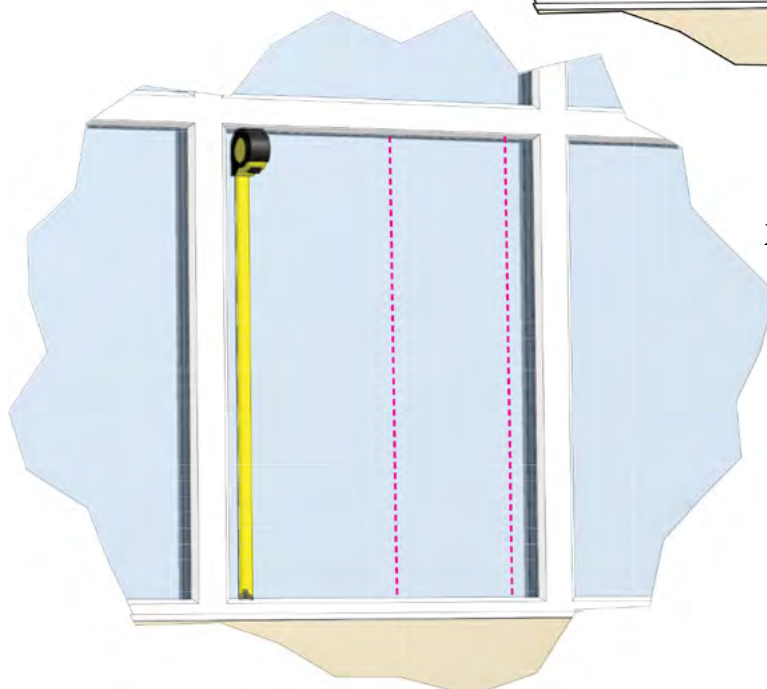
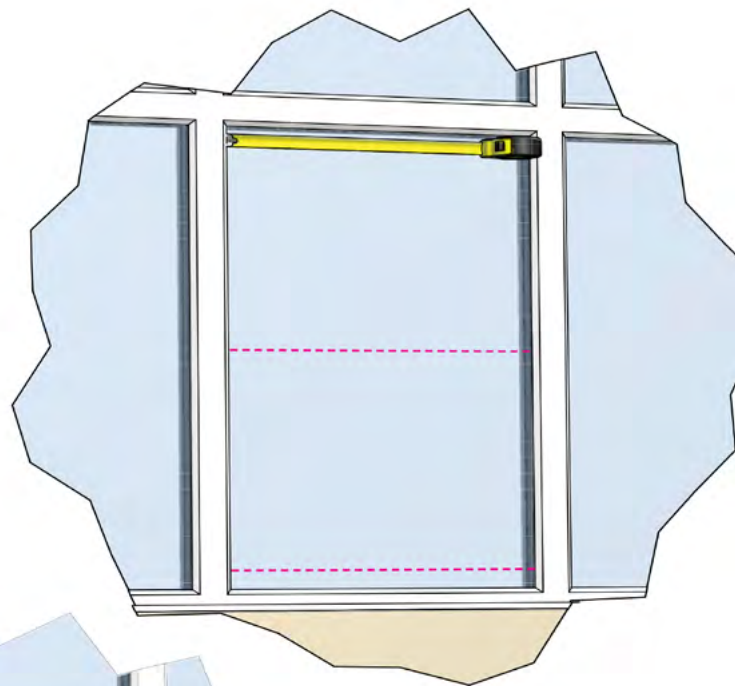
- A) Measure your blind in centimetres and measure to the nearest millimetre.
- B) Look out for the position of the window handles and titles.
- C) Whatever type of blind you are measuring for, follow our instructions precisely and don't make any adjustments for fittings and headrails.

Step 2

Measuring Glass Size (Width And Drop)

Measure both corners and the middle and use the smallest measurement taken (in centimeters)

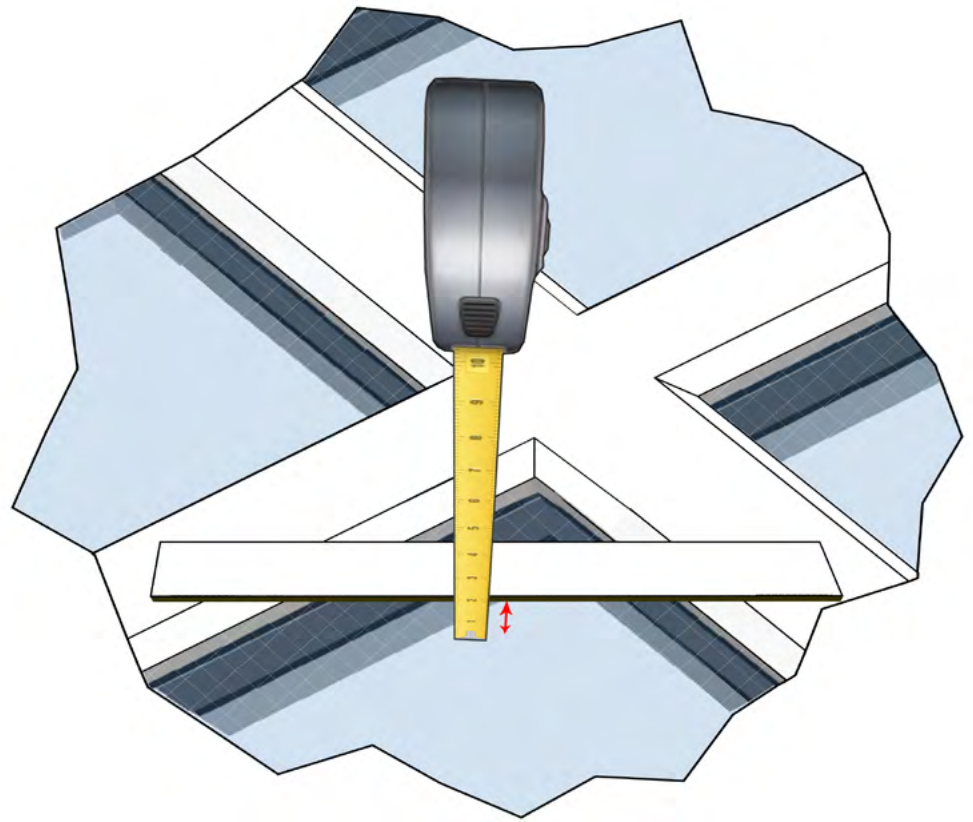
Measure the width accurately



Measure the drop accurately

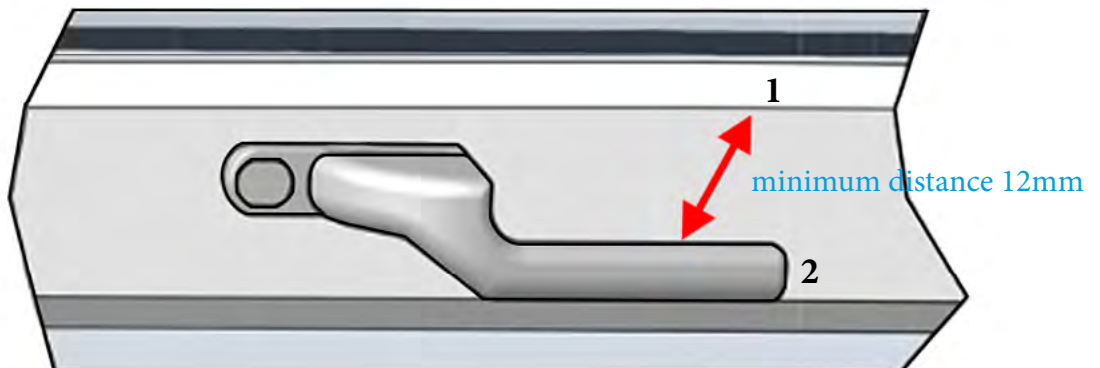
Step 3

(A) Measure the depth of the window from the face of the window frame to the glass (this is normally 18mm, 20mm or 24mm) and write this down. This measurement is needed for choosing the correct bracket size.



Handle Clearance

The Perfect Fit frame stands proud off the window frame by 10mm; you will need atleast 12mm clearance between the handle & the frame to give enough clearance without the use of the handle spacer.



Window handle (1) to the edge of bead (2) minimum distance 12mm

Handle Spacer

If your window has a handle you may need a Handle Spacer, which will be inserted between your handle and the framework. The handle spacer will give enough clearance and stop the handle from touching the **Perfect Fit** frame when the window is operated.



Air vents

The perfect fit frame overhangs by 25mm from the glass and is 6mm from the edge of the beading (edge of window frame).

Regarding the allowance for trickle vents, on perfect fit venetian and pleated the frame would extend from the top by 25mm also so you would need to allow for a 25mm distance between the glass and the trickle vent. If this is not possible and the gap is too narrow, we can do a cut out but depending on the design of the vent, the vent could be impeded

