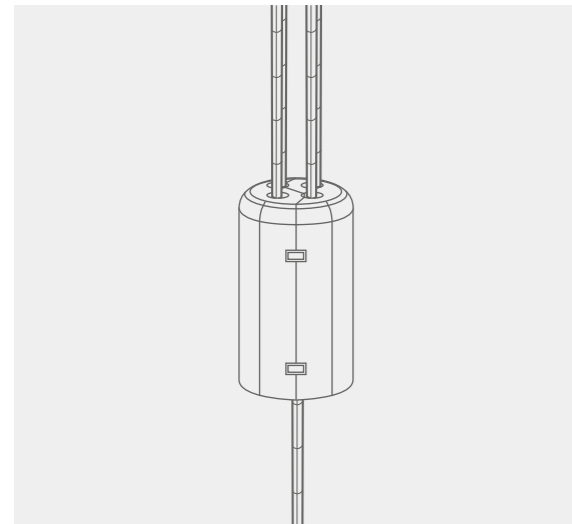
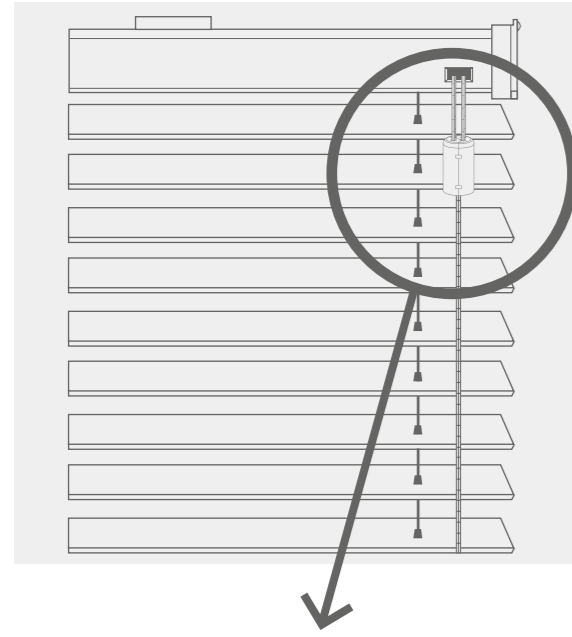


## BREAKAWAY CORD CONDENSER (OPTIONAL)

Breakaway cord condenser is pre-fitted to the lift cords so that when a horizontal force is applied to the cords entering the condenser it safely breaks away eliminating any hazardous loops.



If the cord condenser is pulled apart:

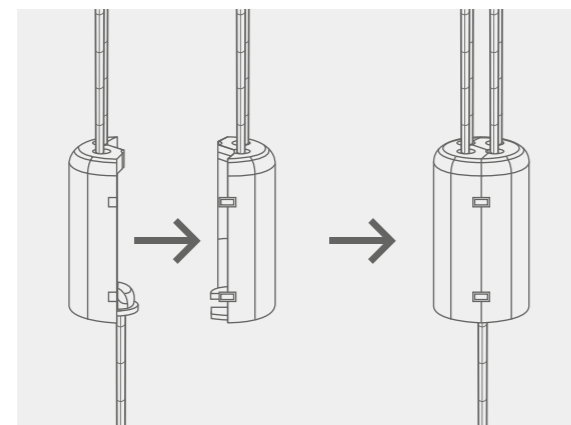
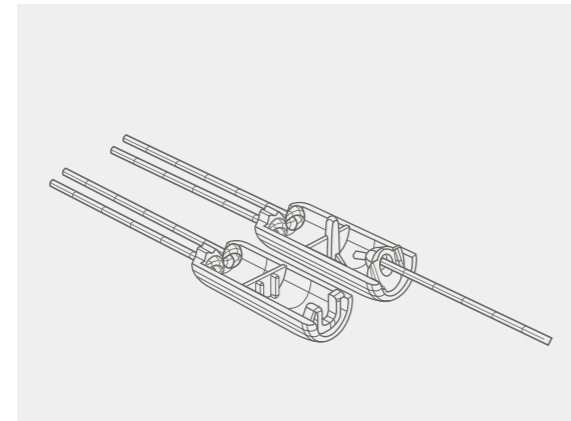
Untangle and untwist cords.

**For 2 cords:** Press the cord condenser together until it is fully closed.

**For 3 cords:** Place the loose cord in the opening in one half of the cord condenser and press the cord condenser together until it is fully closed.

**For 4 cords:** Place one of the loose cords in the opening in one half of the cord condenser, the remaining loose cord in the opening in the other half and press the cord condenser together until it is fully closed.

If there are any doubts that the cord condenser has not been re-attached correctly it can be tested by placing your arm between the cords and pressing downwards. The condenser should break apart with minimal force, if it does not breakaway tie cords out of reach of children and contact a reputable blind company to repair the blind.



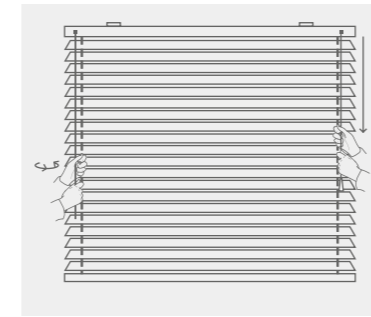
FITTING INSTRUCTIONS: ALUMINIUM VENETIAN BLINDS

PLEASE READ THE INSTRUCTIONS BEFORE OPERATING THIS PRODUCT

## OPERATION INSTRUCTIONS

### WAND OPERATION

**To tilt blind:** Twist the wand to tilt the slats in either direction.



Tilt blind horizontal before raising/lowering to extend the life of the blind.

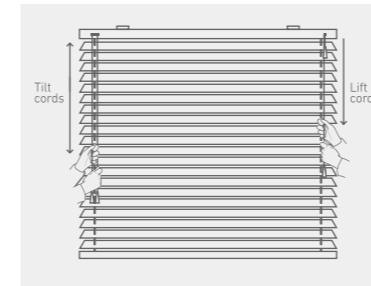
**To lower blind:** Move lift cord towards middle of the blind pulling down gently until cord lock releases.

**To raise blind:** Pull lift cord downward until blind reaches desired height.

**To lock cords:** Pull lift cord towards the outside of the blind and release. Cord will lock automatically.

### PULL OPERATION

**To tilt blind:** Pull on required tilt cord tassel to tilt slats to the open/closed position.



Tilt blind horizontal before raising/lowering to extend the life of the blind.

**To lower blind:** Move lift cord towards middle of the blind pulling down gently until cord lock releases.

**To raise blind:** Pull lift cord downward until blind reaches desired height.

**To lock cords:** Pull lift cord towards the outside of the blind and release. Cord will lock automatically.

### MAINTENANCE

The product is maintenance free however we recommend that regular visual checks are completed to ensure that no components have been damaged, which could result in operating difficulties and/or cause a safety risk.

If any maintenance is required we recommend that the work is carried out immediately, by a reputable blind company.



**make it safe**<sup>TM</sup>

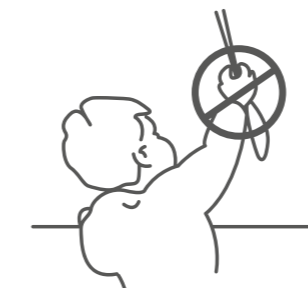
**BBSA**<sup>®</sup>  
BRITISH BLIND & SHUTTER ASSOCIATION

### WARNING

Young children can be strangled by loops in pull cords, chains, tapes and inner cords that operate the product.

To avoid strangulation and entanglement, keep cords out of the reach of young children. Cords may become wrapped around a child's neck. Move beds, cots and furniture away from window covering cords.

Do not tie cords together. Make sure cords do not twist and create a loop.

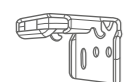


Aluminium Venetian Blinds

**YOU SHOULD HAVE**

**ALUMINIUM VENETIAN ITEM LIST**

Brackets



Safety device

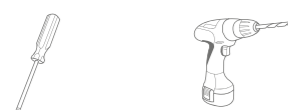


Hold down brackets

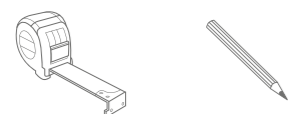


**TOOLS REQUIRED**

Screw driver    Drill



Tape measure    Pencil



**STEP 1**

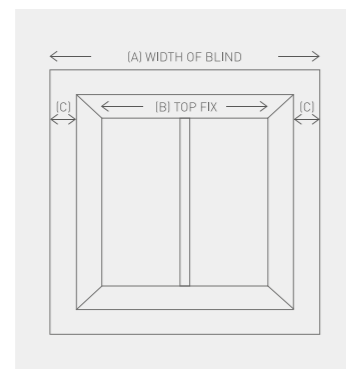
The installation of this product should be conducted by someone competent in DIY.

**OUTSIDE RECESS**

If the blind is to be fitted outside the window ensure that measurement C is the same. Follow instructions for FACE FIXING. To calculate  $C=(A-B)/2$ .

**INSIDE RECESS**

TOP FIX to the lintel or FACE FIX brackets to the window frame.



**STEP 2**

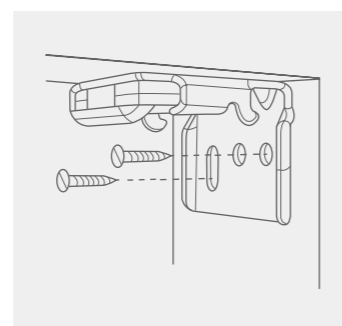
The installation height of this blind must not be less than 1500mm from the floor.

**TOP FIXING**

Measure and mark the distance between the wall and the back of the bracket, allowing for obstructions like handles that protrude into the recess area. The installation bracket (top and face fix) does not go at the ends, it will go between the ladders, we provide 1 per ladder. Hold each bracket into place and mark the hole positions. Fit each bracket using suitable screws. Please ensure fixings are suitable for the wall/surface to which you are mounting the brackets.

**FACE FIXING**

The installation bracket (top and face fix) does not go at the ends. It will go between the ladders, we provide 1 per ladder. Hold each bracket into place and mark the hole positions. Fit each bracket using suitable screws. Please ensure fixings are suitable for the wall/surface to which you are mounting the brackets.



Children can strangle if a safety device is not installed. Always use a safety device to keep cords and chains out of reach of children.

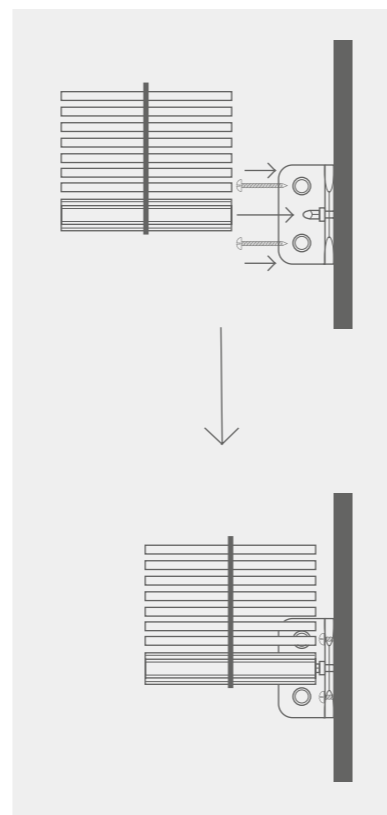
**SWIVEL BRACKET (OPTIONAL)**

Swivel brackets can be face or top fixed. One Swivel bracket should be attached adjacent to each ladder without interfering with the internal components. Open the swivel arm feed the headrail into the bracket as shown and lock the swivel arm closed.



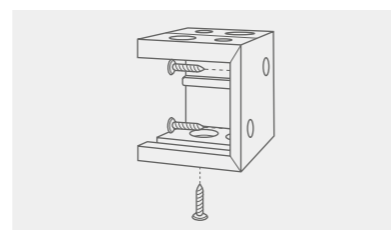
**HOLD DOWN BRACKET (OPTIONAL)**

Hold down brackets: Using two small screws, screw hold down bracket to window facing or wall. Snap bracket pin ends into the hole at bottom rail end.

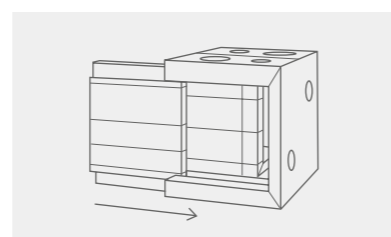


**END FIXING (OPTIONAL)**

End Fix brackets can be both top and end fixing. The brackets should be positioned 6mm wider than the blind at each end. Hold each bracket into place and mark the hole positions. Fit each bracket using the screws provided.



Open the gate of the box brackets and slide the headrail into position then snap the brackets closed.



**STEP 3**

**SAFETY DEVICE**

**Cord safety cleat** - The safety cleat shall be installed as close to the headrail as possible and in all cases not less than 1500mm from the floor.

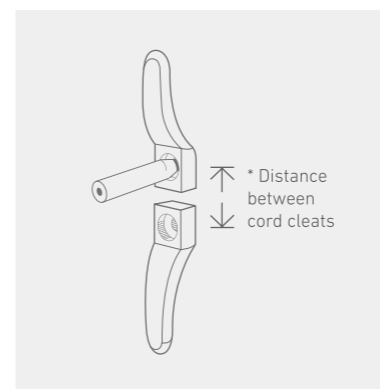
The Cord must be fully accumulated around the safety cleat(s) when the blind is not in use.

Use the table below to determine the distance required between the cleats to fully accumulate the cords when the blind is fully raised.

Drop of Blind	*Distance between cord cleats (centre to centre)
1-1000mm	100mm
1001-2000mm	150mm
2001-3000mm	300mm

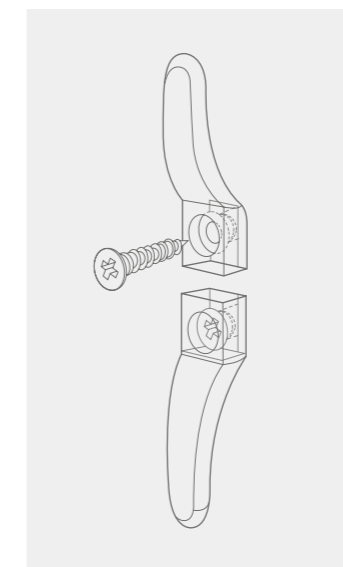
Place the safety cleat in the desired position on the wall and mark the positions of the holes with a pencil.

(Note: Based on cord up to 2.8mm, 17mm can be accumulated in total.)



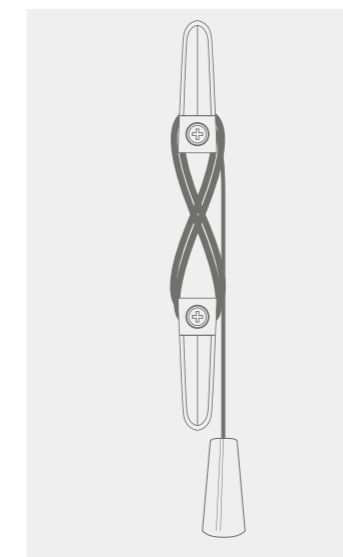
Mark the hole positions and drill as required.

Use suitable screws to attach the safety cleat securely to the wall.



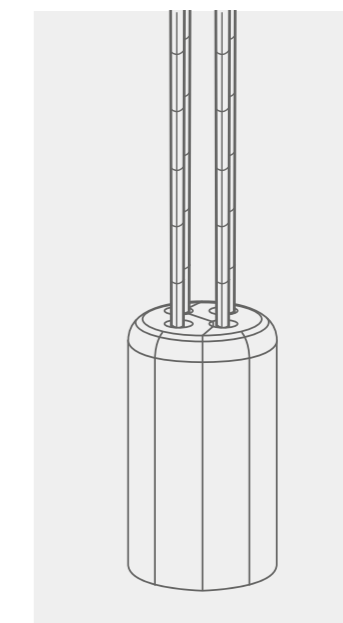
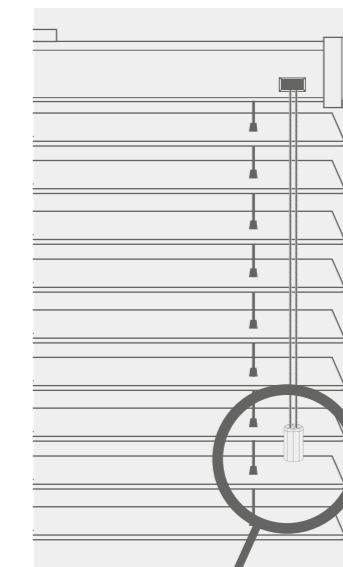
Wrap the cords around the cord cleats in a figure of 8.

When the cords are fully accumulated ensure they are secure so when any cord is pulled no excess cord is released.



**BREAKAWAY SAFETY TASSEL**

Breakaway safety tassel is pre-fitted to the lift cords so that when a horizontal force is applied to the cords entering the condenser it safely breaks away eliminating any hazardous loops.



If the breakaway safety tassel is pulled apart:

Untangle and untwist cords.

**For 2 cords:** Press the breakaway safety tassel together until it is fully closed.

**For 3 cords:** Place the loose cord in the opening in one half of the breakaway safety tassel and press the breakaway safety tassel together until it is fully closed.

If there are any doubts that the breakaway safety tassel has not been re-attached correctly it can be tested by placing your arm between the cords and pressing downwards. The breakaway safety tassel should break apart with minimal force, if it does not breakaway tie cords out of reach of children and contact a reputable blind company to repair the blind.

