

How to fit and operate your Easy Fit Spring Roller blind

Getting started

YOU WILL NEED:

- A drill with correct bit
- A crossheaded screwdriver
- A metal tape measure
- A pencil

- Your brackets are packed separately in the box. Please ensure you've located them before disposing of the packaging.
- The brackets are a universal type that can be used to top fix the blind into a recess or face fix into a frame or a wall.
- Please read the following instructions carefully before you start fitting your blind.

Operating your blind:

Operating your blind is easy. Just follow these instructions.

- Gently pull the blind down to the required position and release the tension slightly so that the spring locks. To wind the blind back up, pull down slightly to release the spring, then guide the blind into position.

1

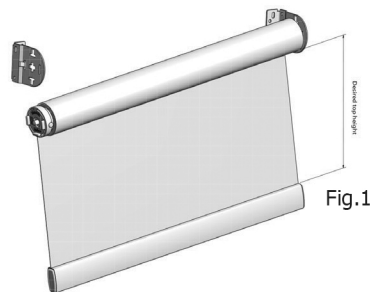
To fix the brackets

1. Measure the fabric width of the roller blind and place your bracket 35mm (1.375") wider than this measurement with two screws in each bracket, making sure the brackets are correct for that side of the blind and are level.

2

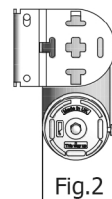
To fit the blind

1. With the blind wound up, push fit the blind into the stop end which is the opposite end bracket from the spring. (Fig.1)

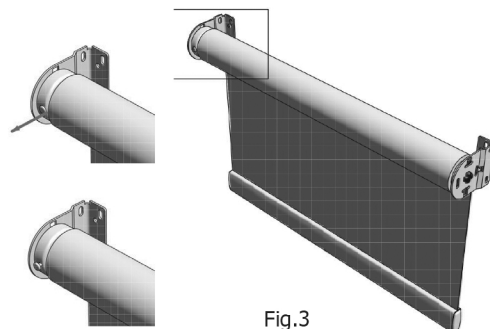


Note - the spring end is always on the left hand side and with the fabric rolling from the back of the blind.

2. Then making sure the locating lugs on the end of the spring side is in the lowest position, place the blind into the spring end bracket. (Fig.2)



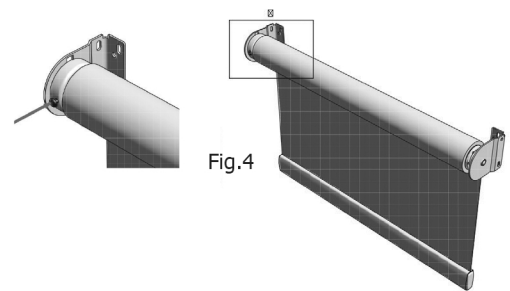
3. Release the pin (do not pull all the way out) from the front side of the spring. Your blind has been pre-tensioned and is now ready to operate and will stop at the desired top position. (Fig.3)



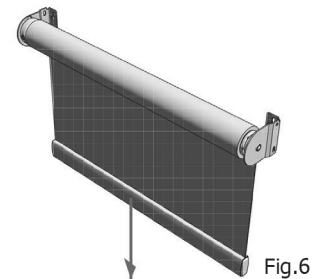
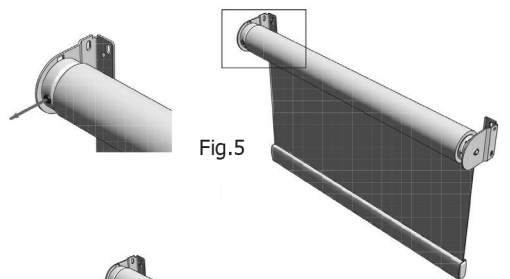
3

Lost tension on the spring

1. If you have lost all the tension on the blind, ensure the front locating pin is in. (Fig.4)



2. Gently remove the blind from the brackets and roll back up by hand, then replace it back into the brackets and release the pin (Fig.5) and pull down to the drop (Fig.6), then test to see if the blind returns to the top.



3. If not pull the blind and lock off, depress the locking pin and gently remove the blind and roll up by hand. Replace back into the brackets and test again with the locating pin at the front, remembering to release the locking pin before operation.