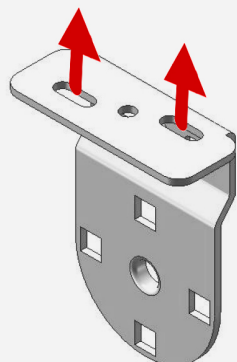


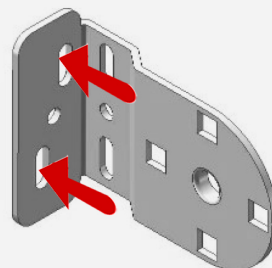
Hold each bracket into place and mark the hole positions. Fit each bracket using 2 screws provided.

1

TOP FIXING



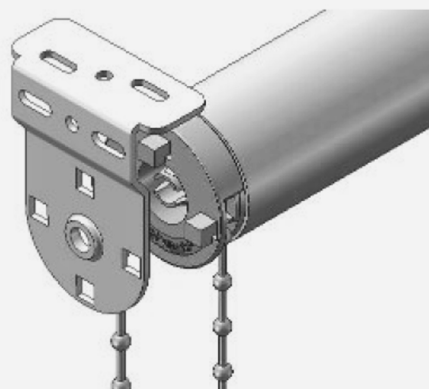
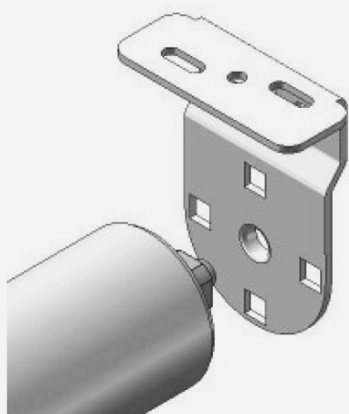
FACE FIXING



Holding the fully-wound blind, insert the idle pin end into the bracket as shown.

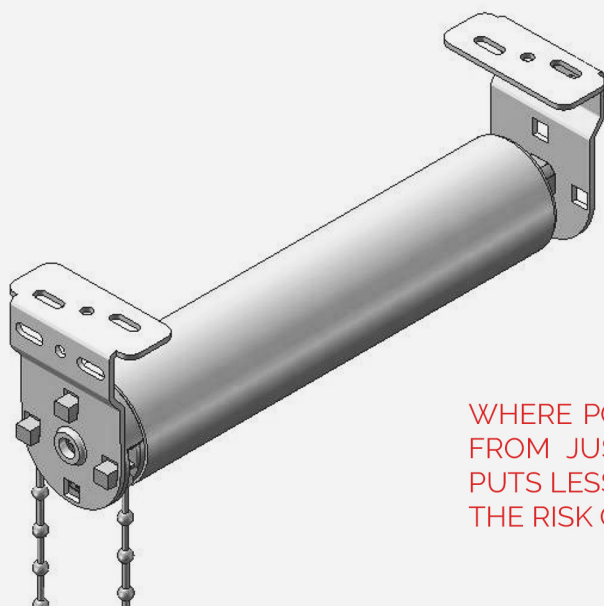
With the idle pin in place, insert the control end into the opposite bracket. Ensure that the blind has clicked into place using the centre lug.

2



Gently pull the chain to raise and lower the blind.

3



WHERE POSSIBLE BLIND CHAIN SHOULD BE OPERATED FROM JUST ABOVE THE CHAIN CONNECTOR AS THIS PUTS LESS PRESSURE ON THIS COMPONENT, REDUCING THE RISK OF SNAPPING OR PULLING APART.