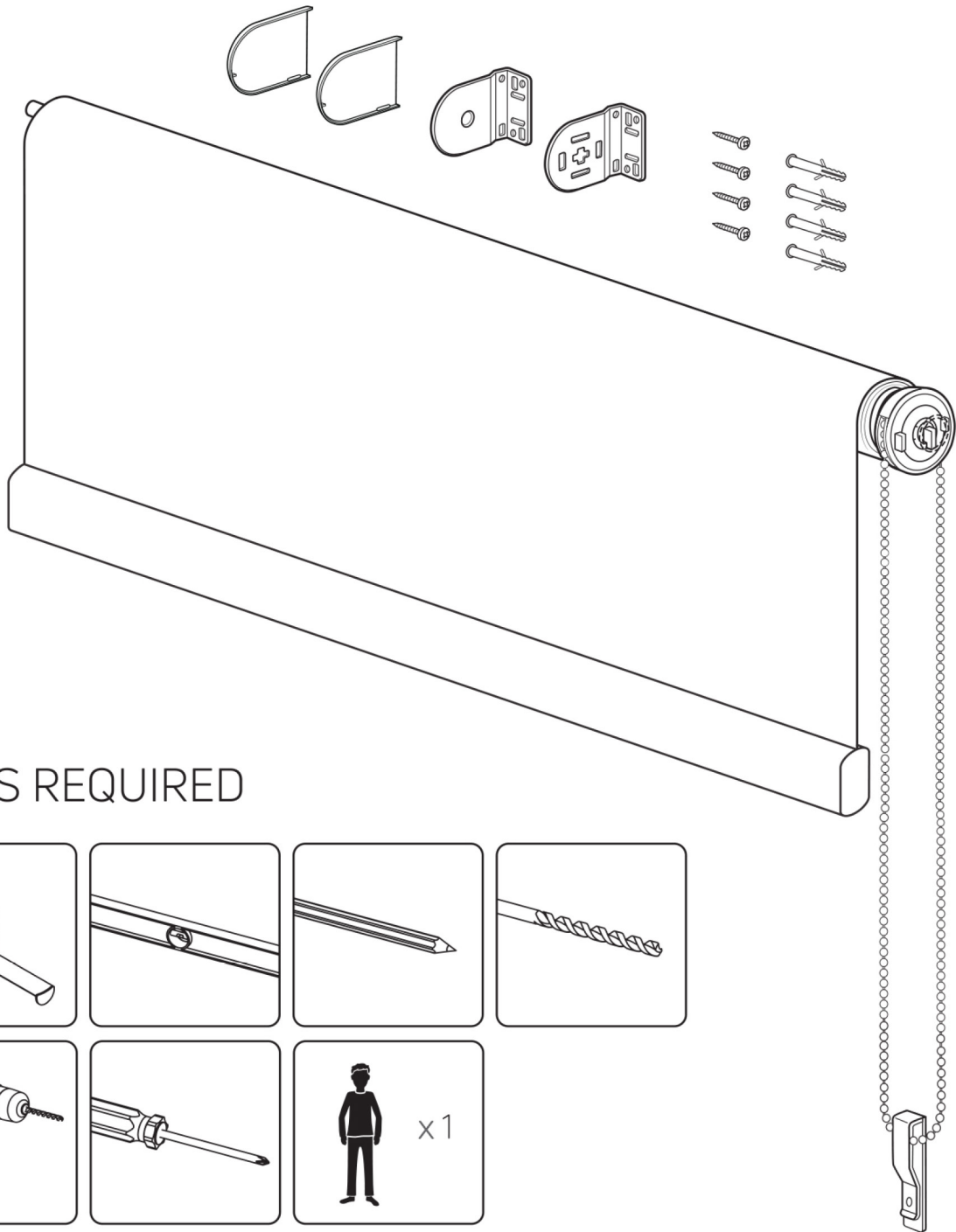
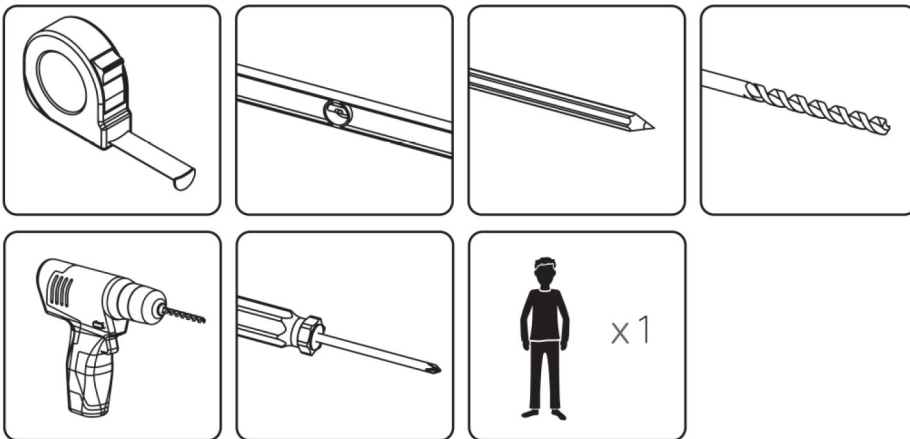


# ROLLER BLIND FITTING INSTRUCTIONS

BLINDS4UK  
YOUR PERFECT FIT



## TOOLS REQUIRED

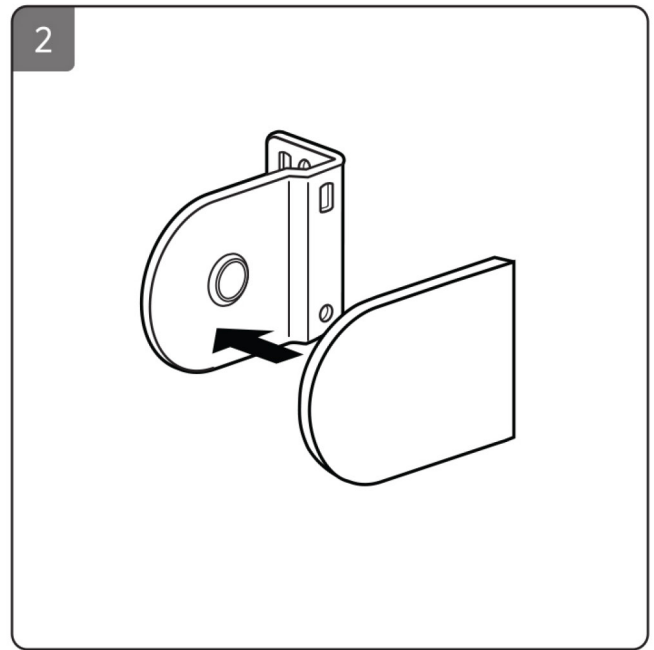
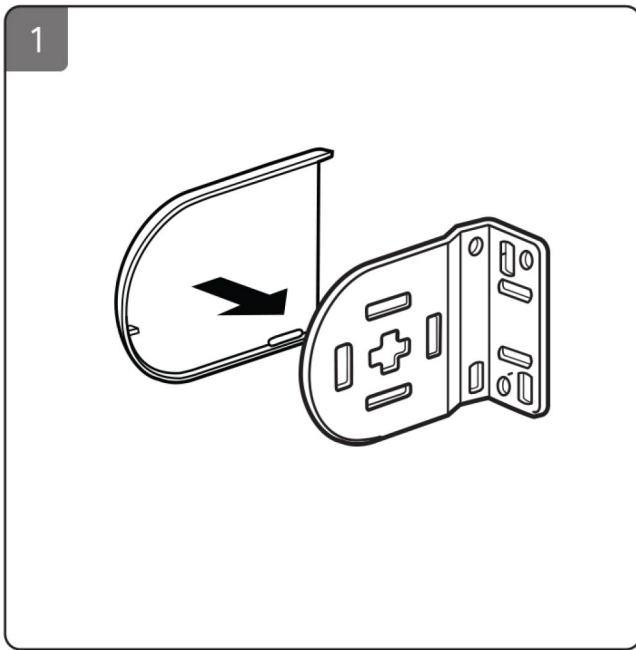


## WARNING

Young children can be strangled by loops in pull cords, chains tapes and inner cords that operate the product. To avoid strangulation and entanglement, keep cords out of the reach of young children. Cords may become wrapped around a child's neck. Move beds, cots and furniture away from window covering cords. Do not tie cords together. Make sure cords do not twist and create a loop.

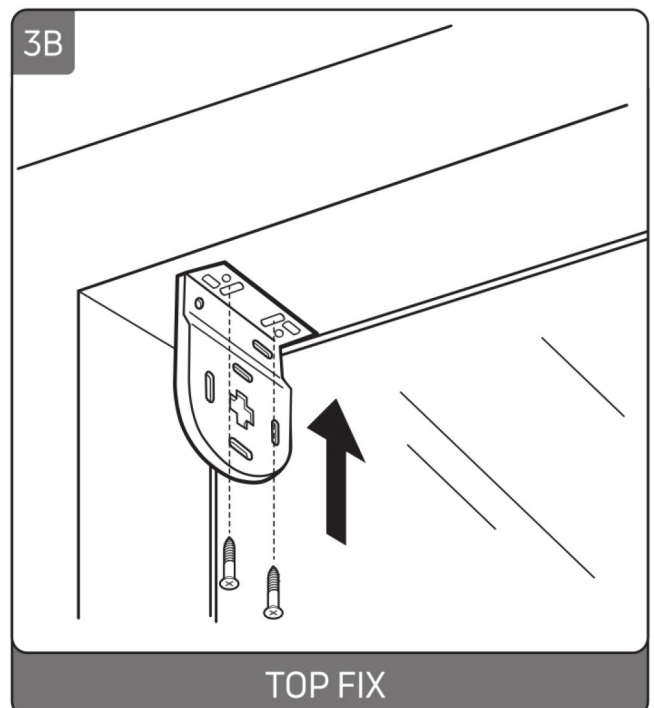
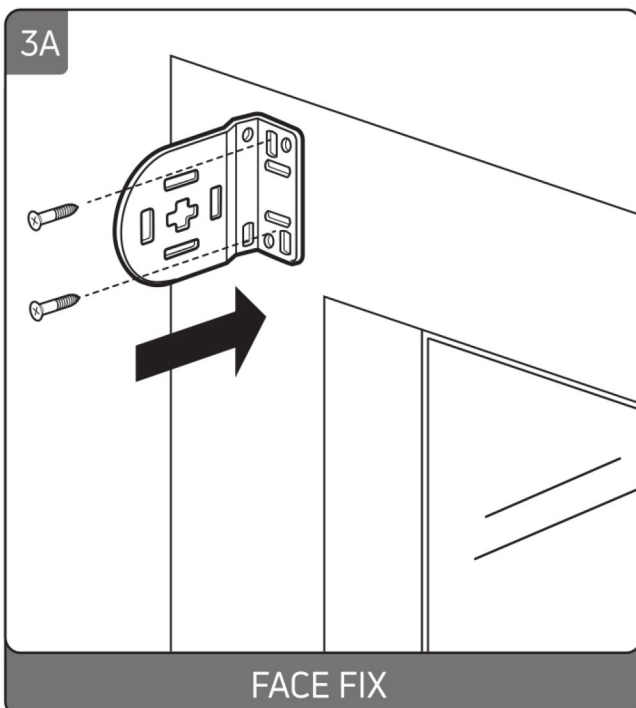
# IMPORTANT INFORMATION

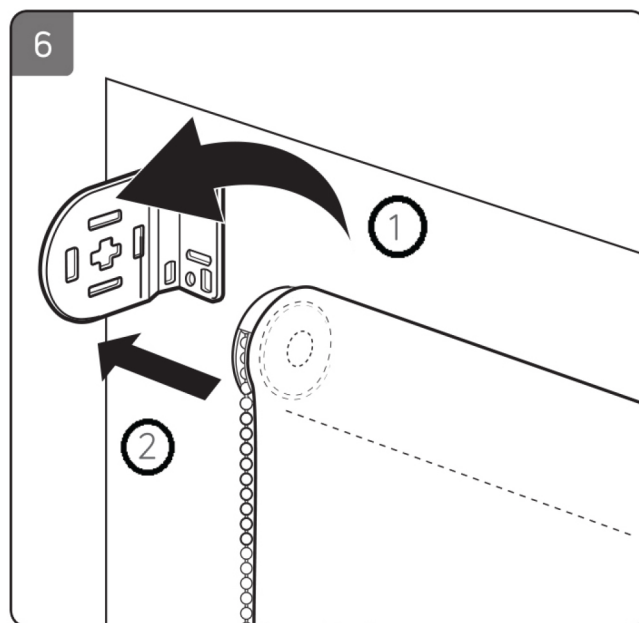
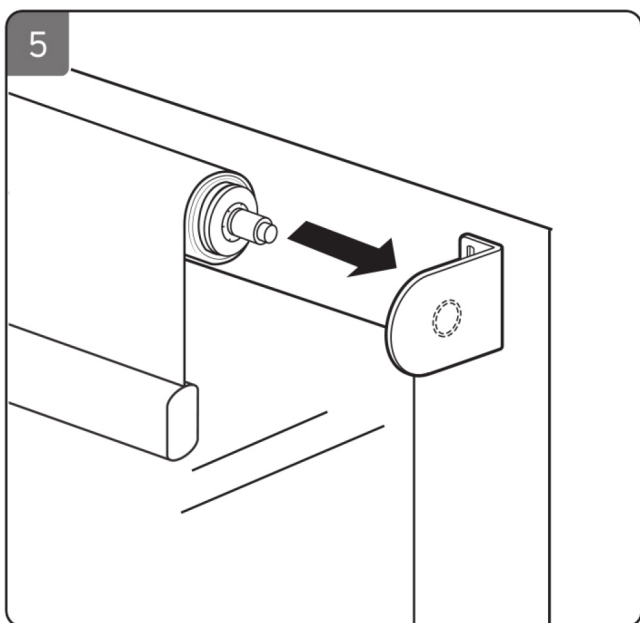
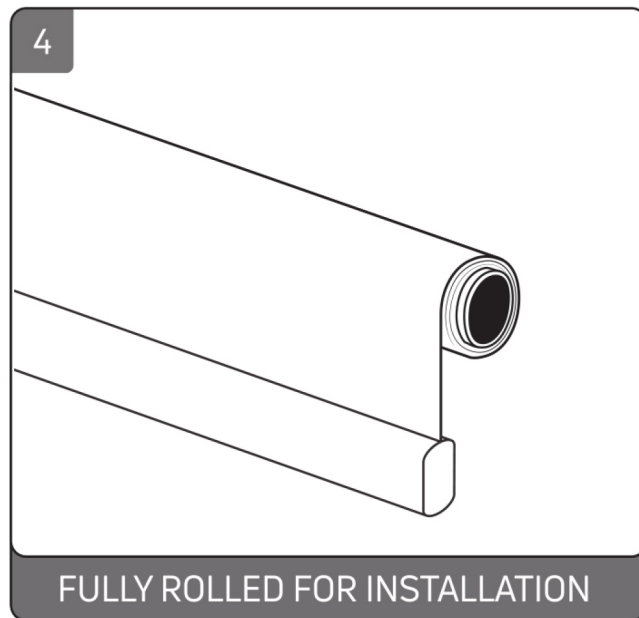
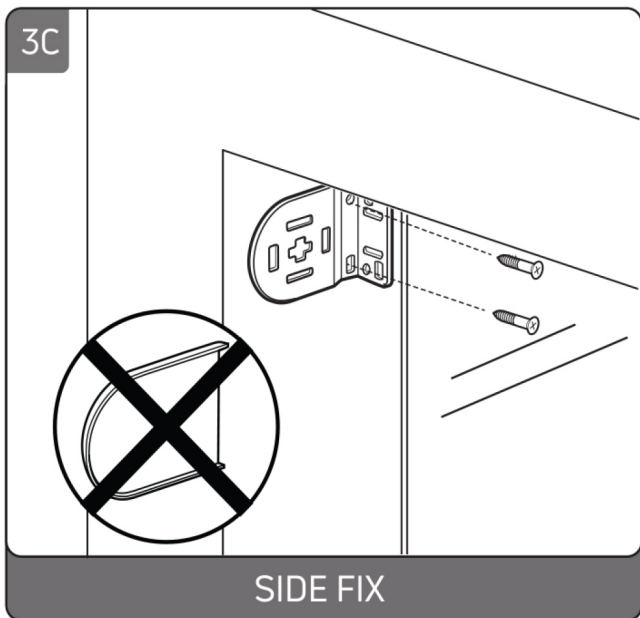
- Keep small parts out of reach of children.
- Ensure the product is fully assembled as illustrated before use.
- The safety clips should be positioned high enough to be out of reach of small children, yet accessible to adults. All safety clips for blinds need to be fixed to a solid surface using a screw and fixing suitable for the wall or surface material.
- Hollow plaster board, UPVC, metal etc special fixings are required for these surfaces.
- Persons in charge of young children are ultimately responsible for following the safety instructions provided by the manufacture and to use the safety device supplied.



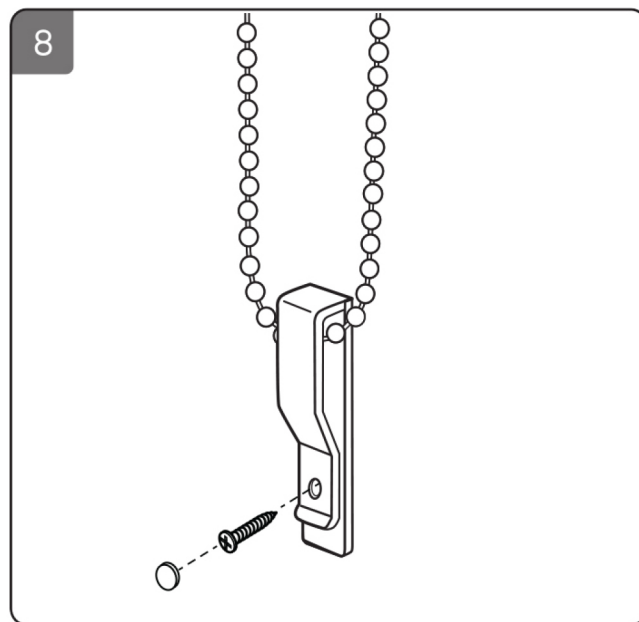
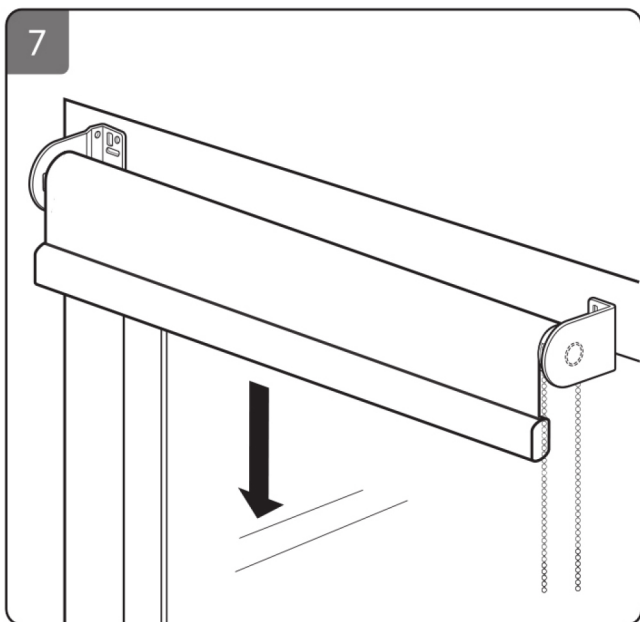
## TIP!

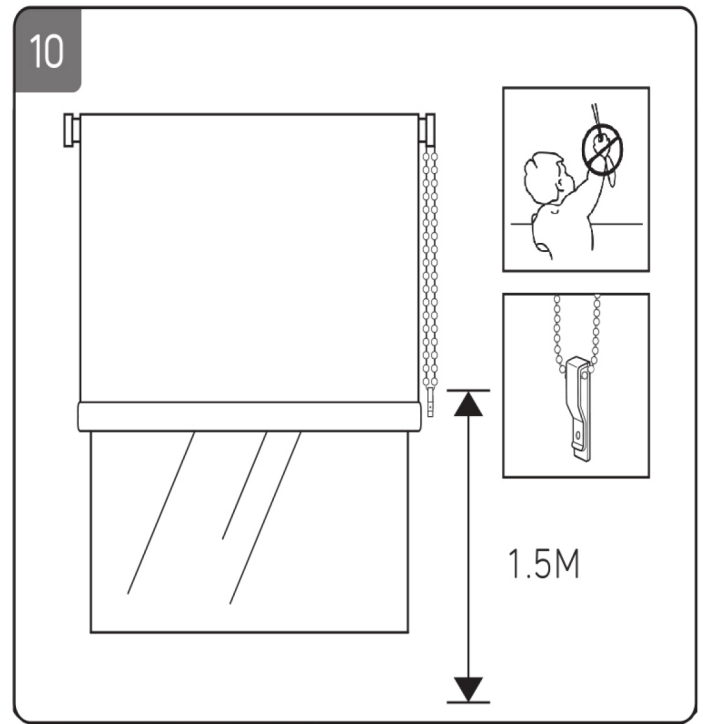
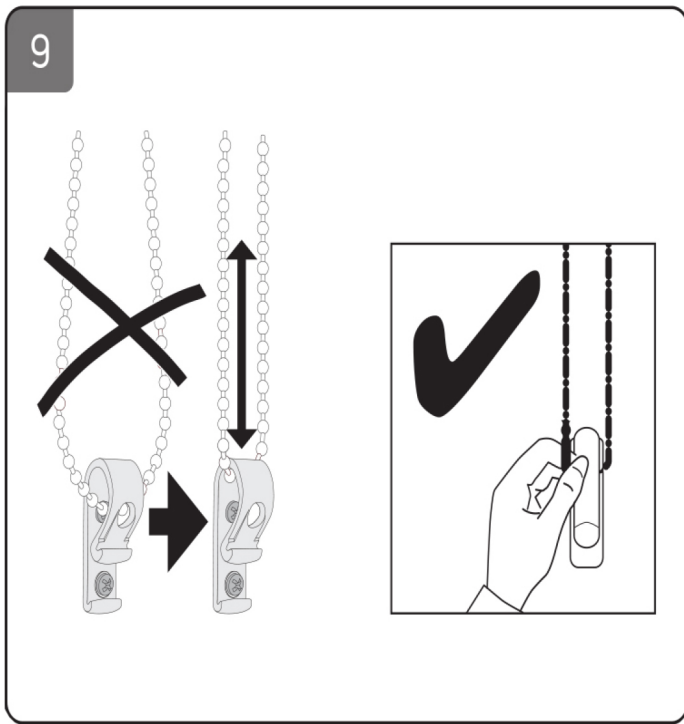
Press both brackets firmly into the roller blind and offer the blind to install position. This will ensure the pin **5** will fit securely.





To install, hold fully wound roller against the pin bracket **5** so the pin is depressed. Follow with the opposite control mechanism, raise slightly above the bracket and lower to click into position.





## WARNING 10

- Children can strangle if this safety device is not installed. Always use the device to keep cords or chains out of the reach of children.
- All blind drop sizes, distance between floor and bottom of chain must be 1.5 meters or more.
- Affix cord tidy to wall at the maximum distance possible from the control mechanism ensuring all operating cords are taut.
- When mounting, make sure the chain operates freely.
- The assembly and installation of this product can be completed by non-professionals, in accordance with current trade and safety standards. Please consult a professional if any doubt exists.
- Small parts - Choking hazard

## CARE INSTRUCTIONS

- Periodically check all fittings and wall fixtures to ensure they have not come loose and re-tighten as necessary.
- The fabric may be dusted using a dry cloth. To clean, wipe with a barely damp cloth.
- Please retain these instructions for future reference.