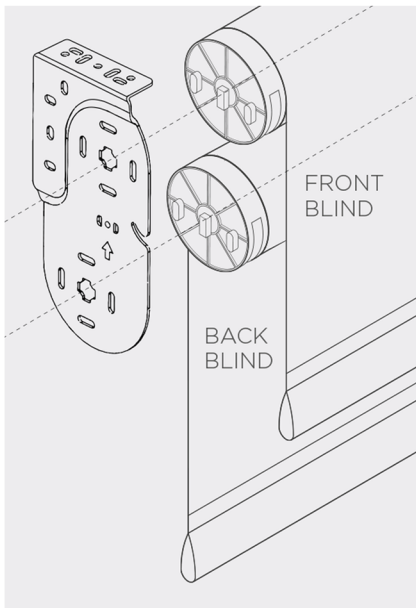


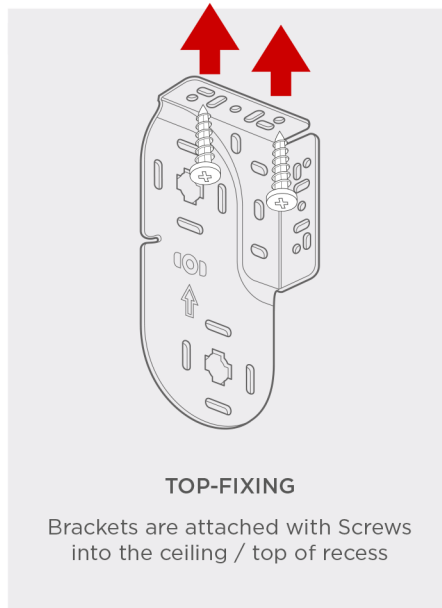
Before you begin



The Front blind is always the top blind, the back blind is the lower blind. Ensure brackets are positioned as shown with curved edge to the bottom

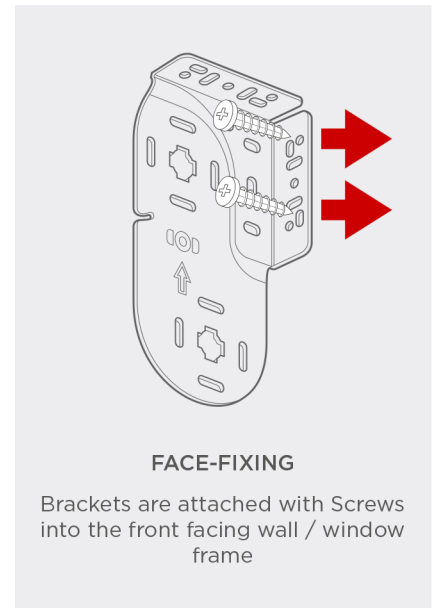
Fitting the Brackets

The brackets offer two methods of installation:



TOP FIXING

Position the brackets allowing for obstructions like handles that protrude into the recess area. Hold each bracket into place and mark the hole positions. Fit each bracket using suitable screws. Please ensure fixings are suitable for the wall/surface to which you are mounting the brackets.



FACE FIXING

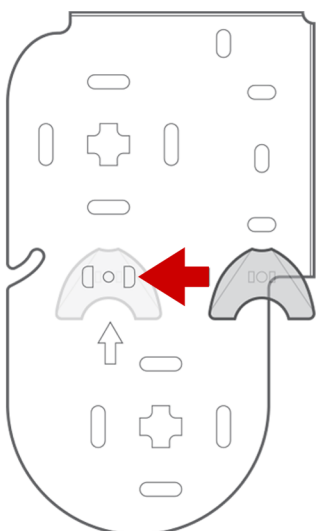
Hold each bracket into place and mark the hole positions. Fit each bracket using suitable screws. Please ensure fixings are suitable for the wall/surface to which you are mounting the brackets.

Important Note:

The minimum depth required if fitting the 'double roller blind' inside the recess must be at least 11cm

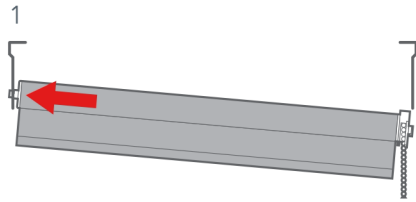
The width of a Roller Blind is always the 'bracket' to 'bracket' measurement and not the 'cloth (fabric)' width. The fabric will always be shorter by between 2.8cm to 4.4cm depending on the blind size ordered. The Roller Blind will always be manufactured with 'extra' fabric on the length to ensure the tube is covered and not visible when the blind is fully extended to the height ordered. ended to the height ordered.

Control Side

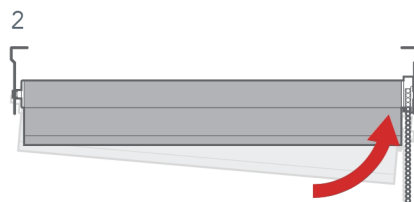


On the control side, clip the chain runner attachment into the slot in the center of the bracket.

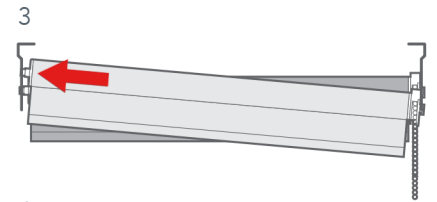
Fitting the blind



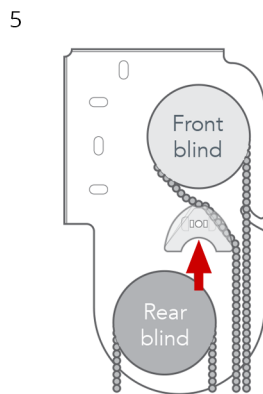
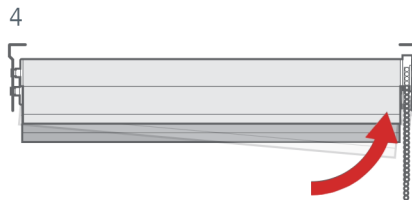
1 Install the rear blind first. Begin by placing the spring-loaded pin into the lower cross-shaped hole on the bracket. Push the blind toward the bracket so the spring-loaded pin depresses.



2 Keeping the pin depressed, lift the sidewinder end of the blind upwards so the blind is level and the chain is hanging directly down from the bottom of the sidewinder and slot the pegs of the control into the cross section of the bracket.

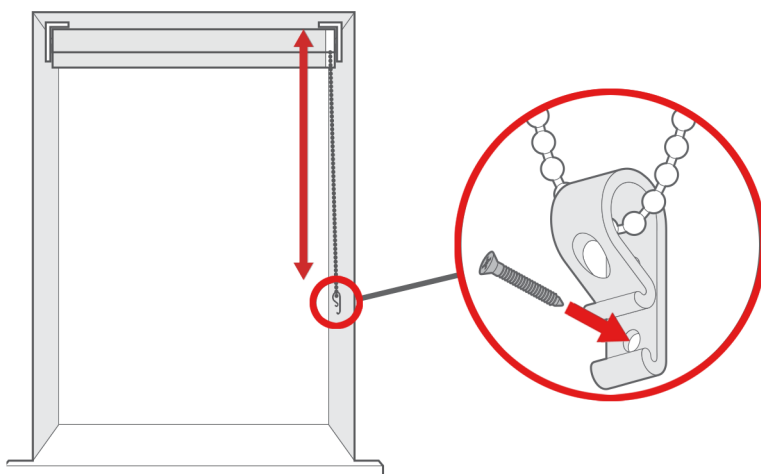


3 Repeat the process for the front blind placing the pin into the cross-shaped hole on the bracket and lifting the sidewinder side up to slot into the cross section.



4 Take the chain for the top (front) blind and drape the back part of the chain over the chain runner so that the chain sits forward, preventing it from tangling with the other blind's chain.

Child Safety - Cord Tensioner



The cord retaining device must be installed at the maximum distance possible from the control mechanism to prevent looped cords from becoming slack.

Place the retaining device on the wall (one for each chain) and mark the position of the screw hole(s) with a pencil.

Attach the retaining device to the wall using the fixings provided.