

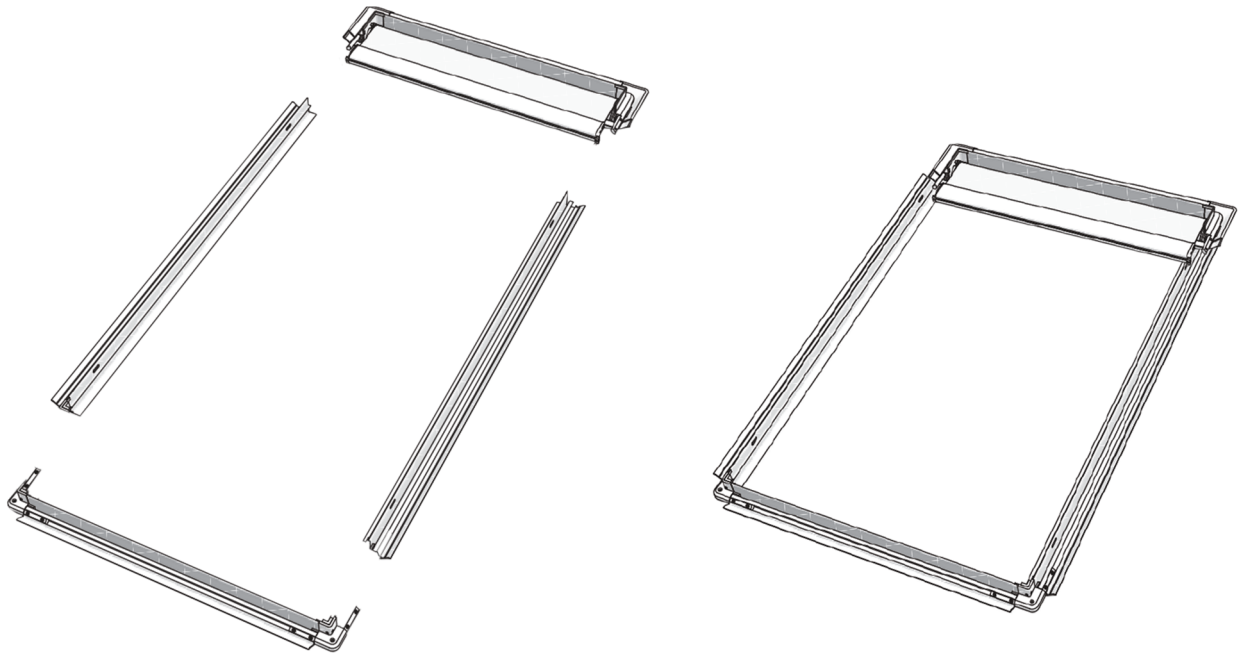
Assembling the frame

1

Carefully unwrap and place on a clean surface facing down, then layout all the parts.

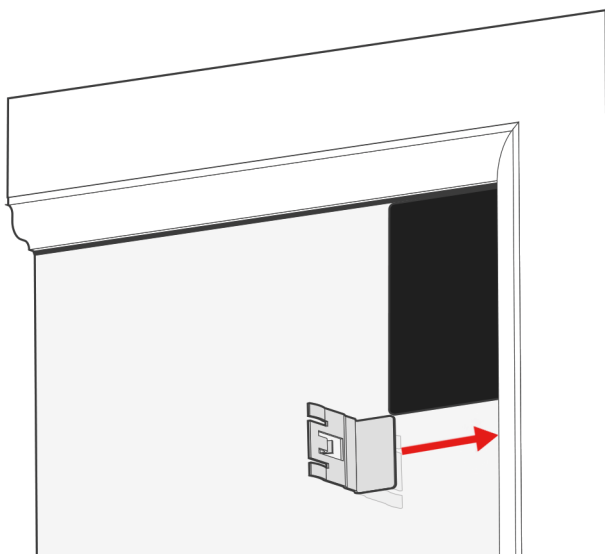
Starting from the top right, guide the side frames on each corner joint, ensuring all cords are free and positioned inside the frame as shown below.

2020 Product update: Perfect fit blinds will now be supplied with push fit corners. The corner joiner has been modified with a sloping raised ridge to secure the corner joiner in to the frame, securing screws are no longer required.

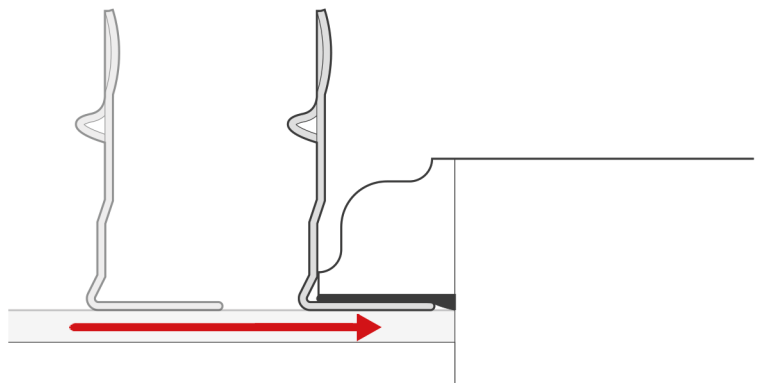


Installing the brackets

2



Locate the correct position for the brackets by holding a credit card or store card vertically in the corner of the glass - the bracket will sit in line with the edge of the card.

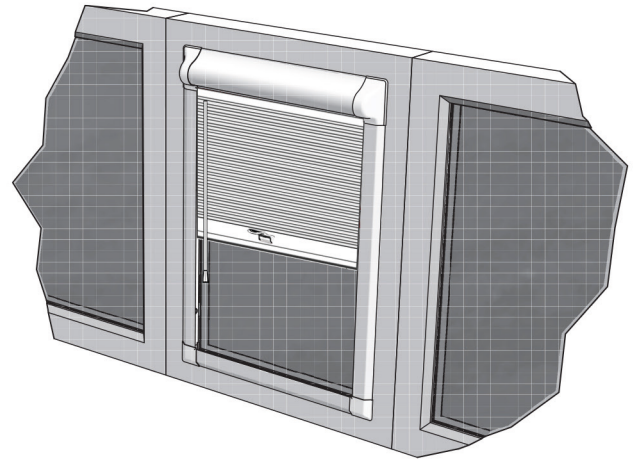
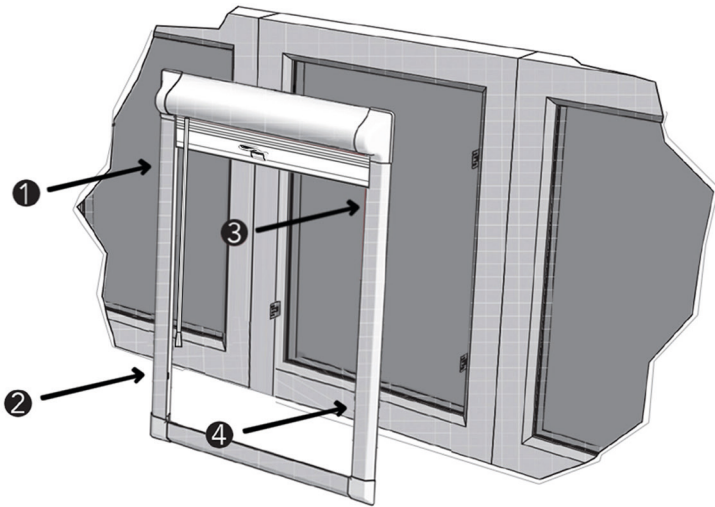


Push the bracket firmly into place between the glass and the rubber seal.

Continued on next page...

Fitting the frame

3

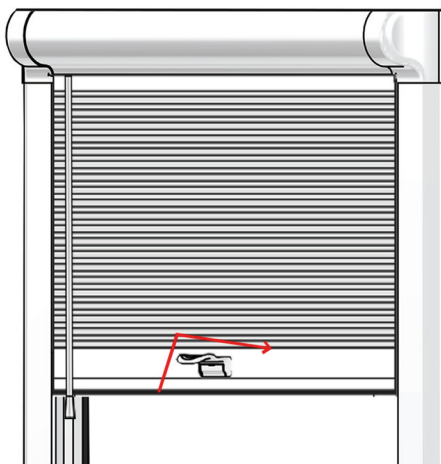


Firmly press the frame down onto each bracket.
Fit one side at a time for an easier installation, 1, 2, 3, 4.

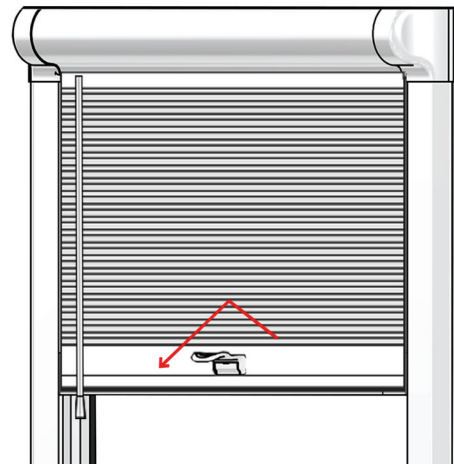
Your blind is now installed.

How to operate

4



To release the blind, tilt the handle forwards.
The blind is then free to be raised and lowered.



To lock the blind into position, tilt the handle backwards.

How to remove the blind

5

- 1 Return blind to the top of the window.
- 2 Remove 1 side at a time by depressing button in the bracket and sliding the frame out.

