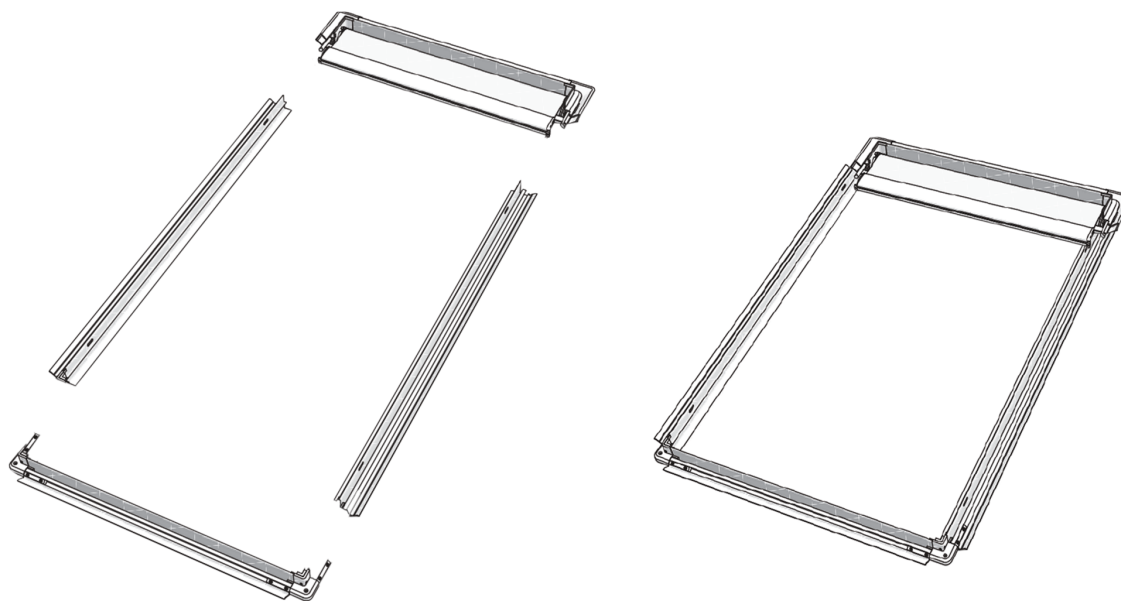


#### Assembling the frame

1

Carefully unwrap and place on a clean surface facing down, then layout all the parts. Starting from the top right, guide the side frames on each corner joint as shown below.

**2020 Product update:** Perfect fit blinds will now be supplied with push fit corners. The corner joiner has been modified with a sloping raised ridge to secure the corner joiner in to the frame, securing screws are no longer required.



#### Securing bottom bar

2

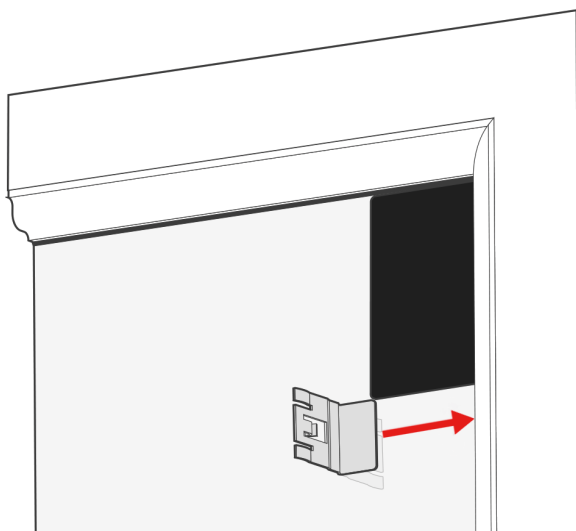
Attach end caps and fix one side in position at a slight angle then place the opposite side into position. Please ensure that the bottom bar sits behind the grooving.



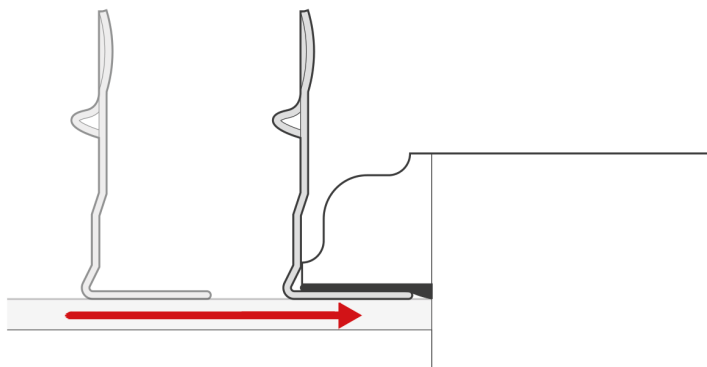
Continued on next page...

### Installing the brackets

3



Locate the correct position for the brackets by holding a credit card or store card vertically in the corner of the glass - the bracket will sit in line with the edge of the card.

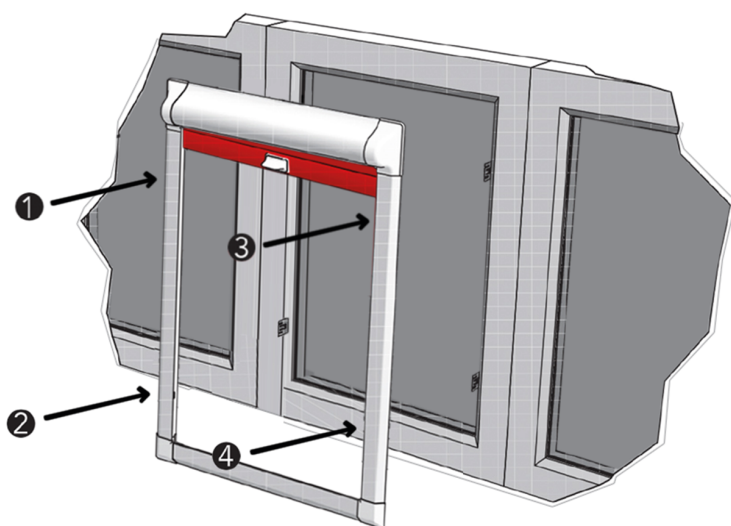


Push the bracket firmly into place between the glass and the rubber seal.

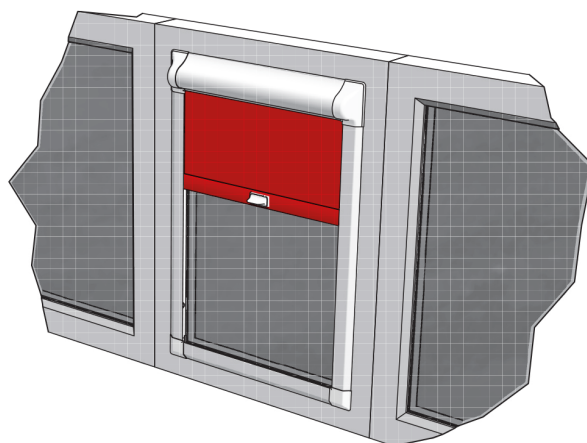
### Fitting the frame

Line up the holes in the frame with the brackets

4



Firmly press the frame down onto each bracket.  
Fit one side at a time for an easier installation, 1, 2, 3, 4.

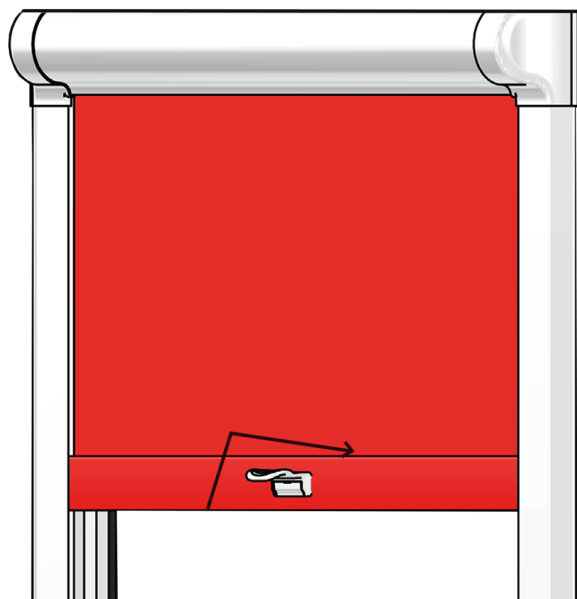


Your blind is now installed.

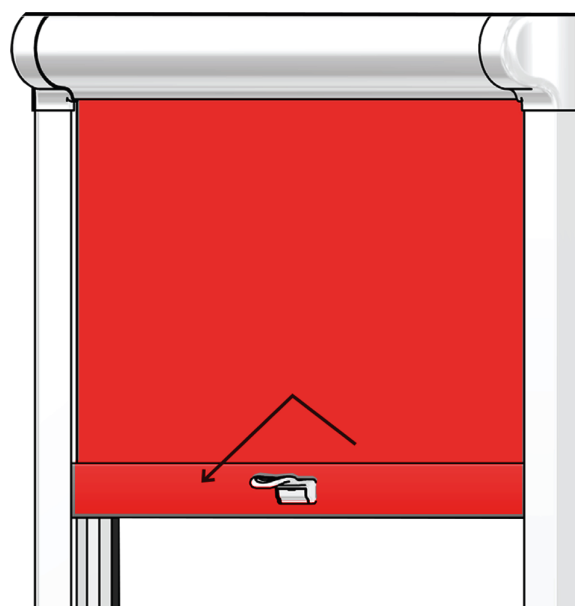
Continued on next page...

### How to operate

5



To release the blind, tilt the handle forwards. The blind is then free to be raised and lowered.



To lock the blind into position, tilt the handle backwards.

### How to remove the blind

6

- 1 Return blind to the top of the window.
- 2 Remove 1 side at a time by depressing button in the bracket and sliding the frame out.

