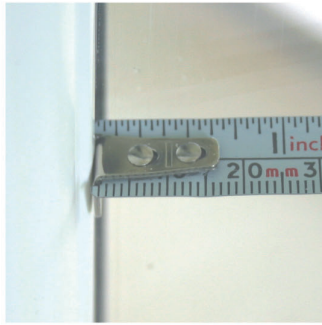




CHILD SAFE  
PRODUCT

## Flush or Recessed Rubber Bead



Measure clear glass width and drop

- min. width: 240mm
- max. width: 1400mm
- max. drop: 2000mm
- max. area: 1.5 sq m

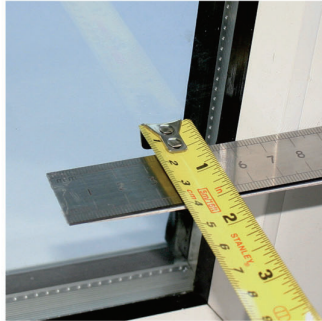
## Proud Rubber Bead



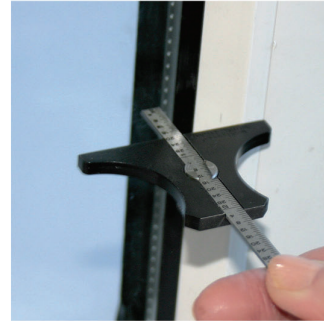
measuring the window

**A**

## Tape Measure



## Depth Gauge (TP487)



For beads above 27mm use INTU® Screwfit

- bead depth 19 to 27mm: no endcap spacer
- bead depth 15 to 18mm: 1 endcap spacer per side
- bead depth 11 to 14mm: 2 endcap spacers per side
- min. bead depth: 11mm

Ensure windows have suitable rubber bead that accepts fitting of bracket

bead depth

**B**

## SIDE PROFILE A XL



## SIDE PROFILE C XL



## SIDE PROFILE D XL

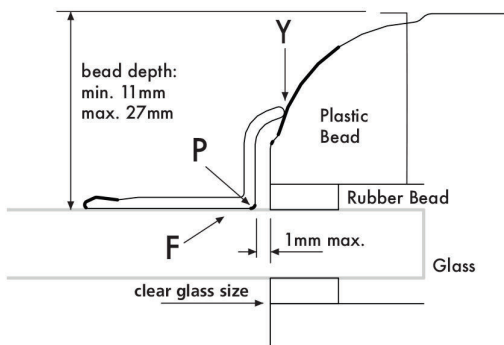


side profile

**C**

All profiles are shown at 2× actual size

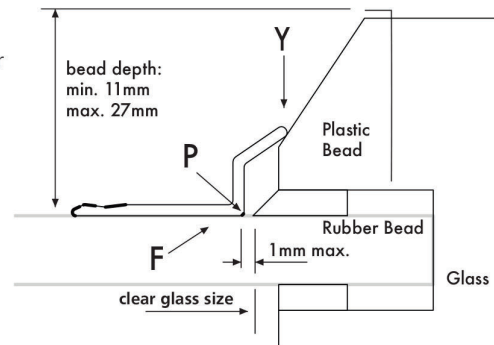
## Flush or Recessed Rubber Bead



Select side profile that:-

- has max. 1mm gap between point P and clear glass size,
- keeps face F flat on glass,
- gives best fit at Y

## Proud Rubber Bead



rubber bead

**D**

greater than 1mm ✗



gap between profile and plastic bead ✗

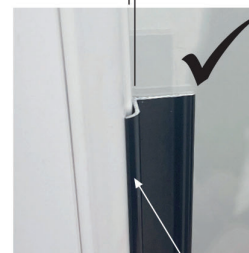
Where the gap is greater than 1mm, this size must be deducted from clear glass size (both sides)

less than 1mm ✓



good fit ✓

less than 1mm ✓



good fit ✓

best fit profile

**E**



CHILD SAFE PRODUCT

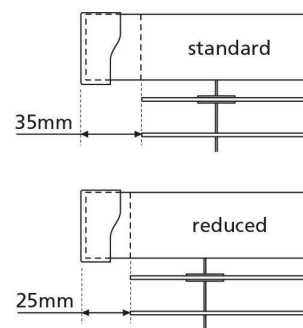
special head



70mm std.  
50mm mod.

### Reduced Headrail – All Models

- insufficient clearance on window frame or glazing bar will require modified headrails
- reduction will be 10mm per side
- note requirements on order form 'Special Instructions' box



G

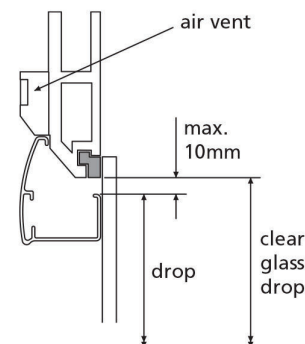
air vents



### Air Vents

When headrail may foul air vent or other obstruction, a deduction of up to 10mm can be made from the clear glass drop to clear obstruction

See diagram opposite



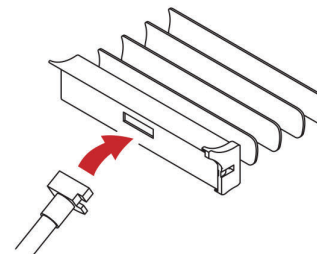
H

operating rod



### Blind Out of Reach – All Models

- choose 30, 60 or 120cm rod as required
- the rod connector is placed inside the tilt handle (Venetian only)
- bottom rail is slotted for raising/lowering



I

bottomrail



Bottomrail with integrated handle

All blinds are supplied with bottomrail that has an integrated handle. This moulded handle is simple to use and maintains the stylish appearance of the blind.

**Following the above instructions will ensure that the blind is correctly measured, installed and fully functioning.**

If you require further advice or more information on INTU® blinds please call **020 8364 1648** or email **enquiries@blinds4uk.co.uk**

important

# BLINDS4UK

YOUR PERFECT FIT