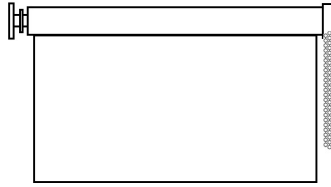


YOU SHOULD HAVE



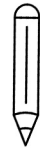
BLIND



SAFETY DEVICES

- Easy Way Connector

TOOLS REQUIRED



- Pencil



- Tape Measure



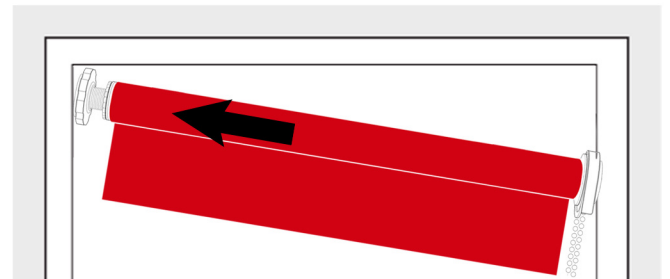
- Spirit Level

INSTALLING THE BLIND

1

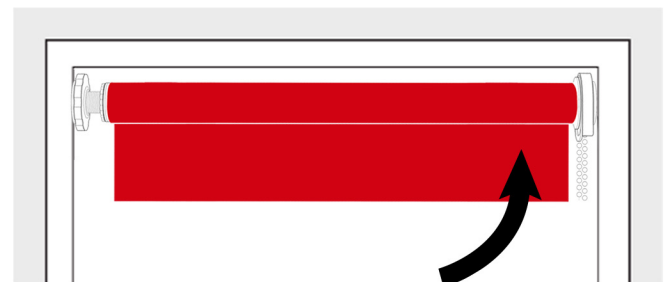
Measure and mark required position of the blind inside the recess. Make sure that walls are solid and there are no obstructions in the way i.e. window handle.

Insert the tightener end of the blind into the recess first. Position it at an angle and push against the wall.



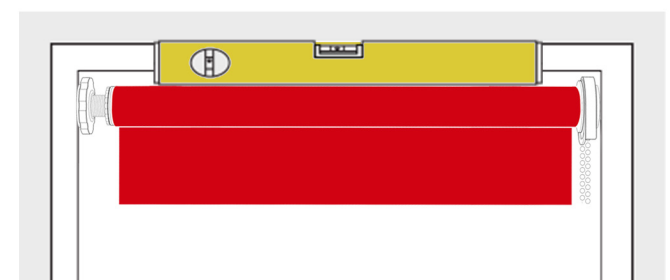
2

Place the control end of the blind until it's levelled and release pressure. The blind will hold itself in place.



3

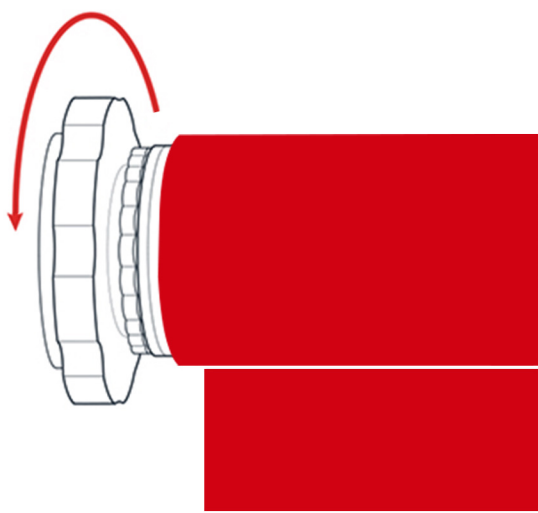
Before locking the blind in place measure it with spirit level to ensure it's straight.



INSTALLING THE BLIND

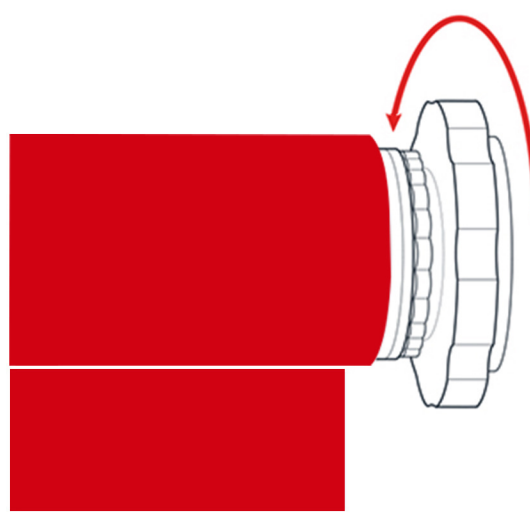
While holding the blind in place, turn the tightening wheel to tighten the blind. If the tightener is on the left side of the blind turn it towards you. If it's on the right, turn it away from you. When the blind is secured ensure that it does not slip and operates correctly.

Tightener on the left



Turn it towards you

Tightener on the right



Turn it away from you

SAFETY DEVICE

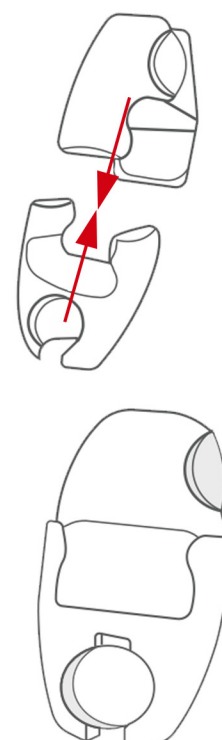
Easy way connector

If the installation height is known, the cord length distance from the floor to the bottom of the pull cord shall be at least 0.6m.

If the installation height is not known the cord length should be less than or equal to 2/3 drop of the blind.

This blind is equipped with an Easy Way Connector.

If it gets disconnected simply push both halves together.



PLEASE READ THE INSTRUCTIONS BEFORE OPERATING THIS PRODUCT

Standard Roll

(Fabric unrolls from behind blind - Fig 1)

1. To lower the fabric on the roller blind gently pull the operating chain closest to the window.
2. To raise the fabric on the blind gently pull the operating chain furthest from the window.
3. Where possible operating chain should be operated from just above the chain connector as this puts less pressure on this component, reducing the risk of snapping or pulling apart.

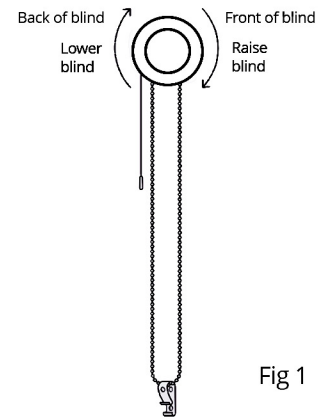


Fig 1

Reverse Roll

(Fabric unrolls from front of blind - Fig 2)

1. To lower the fabric on the roller blind gently pull the operating chain furthest from the window.
2. To raise the fabric on the roller blind gently pull the operating chain closest to the window.
3. Where possible operating chain should be operated from just above the chain connector as this puts less pressure on this component, reducing the risk of snapping or pulling apart.

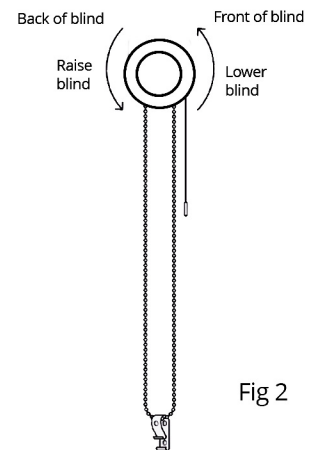


Fig 2

TROUBLESHOOTING GUIDE

Fabric run-off

Diagram 1 below shows the fabric running off from the right-hand side of the blind. To correct the run-off, unroll the fabric, place a 25mm piece of sticky tape onto the tube, **Diagram 2** at the opposite end of the blind to the run off. Fully wind the blind to the runoff. Repeat until the fabric is no longer running-off.

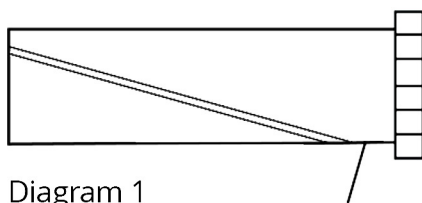


Diagram 1

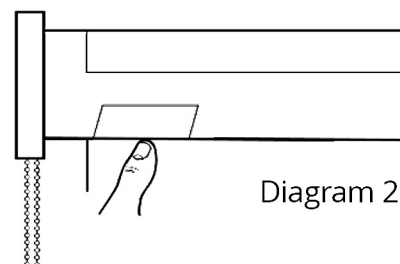


Diagram 2

CHILDREN CAN STRANGLE IF A SAFETY DEVICE IS NOT INSTALLED. ALWAYS USE A SAFETY DEVICE TO KEEP CORDS AND CHAINS OUT OF REACH OF CHILDREN.



BBSA
BRITISH BLIND & SHUTTER ASSOCIATION



make it safe