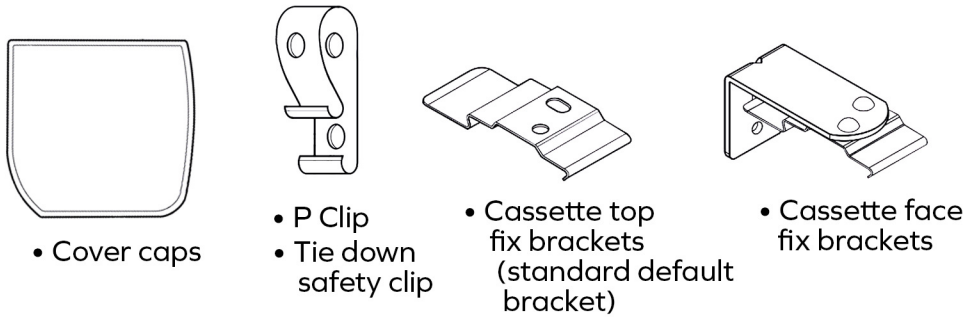
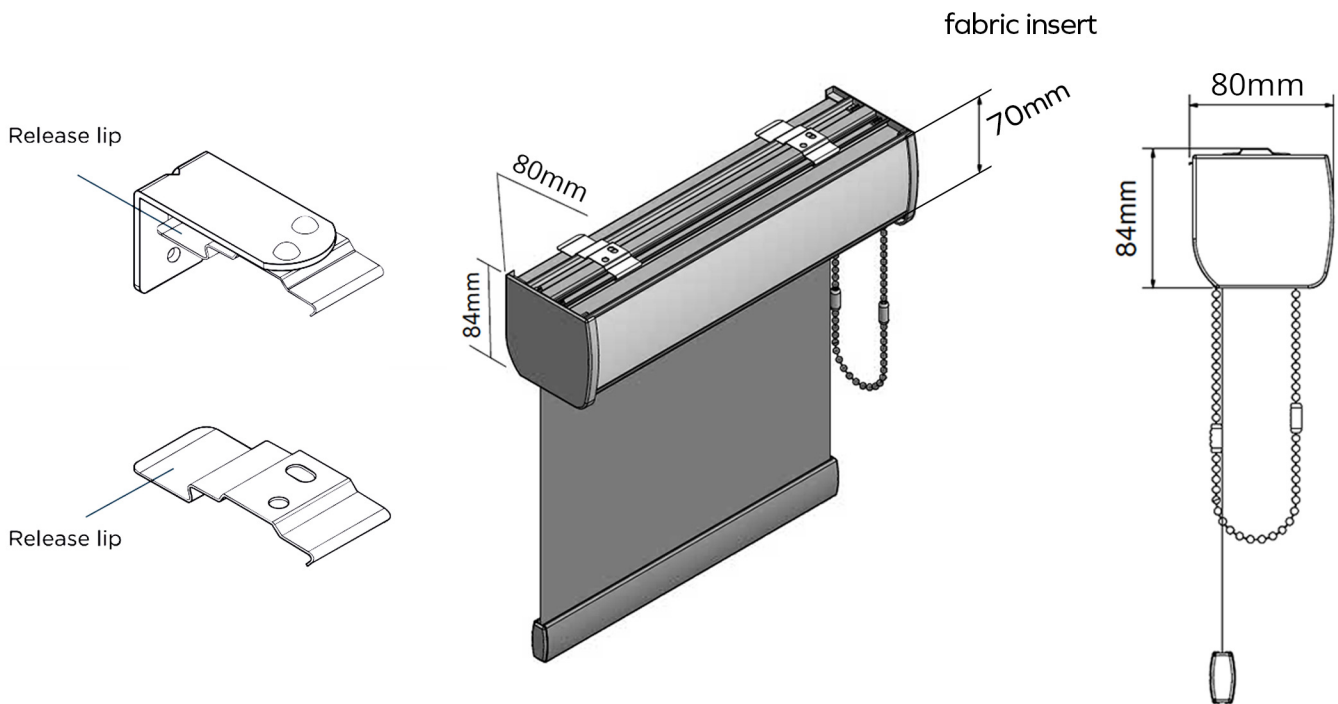


You Should have:

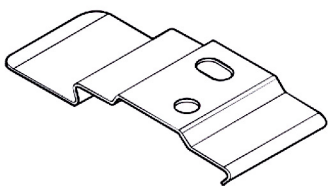


Tools:



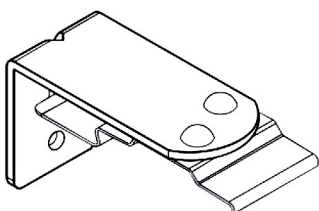
1

Cassette Brackets



Top fix brackets

To secure with top fixing, use the two screw holes in the bracket to attach it direct to the lintel.

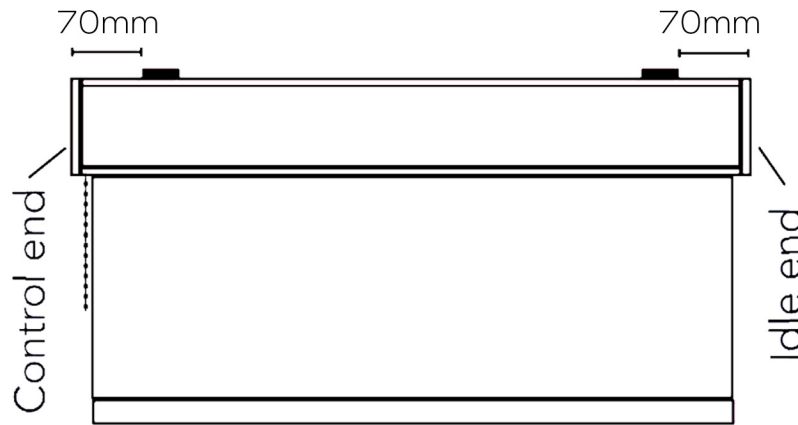


Face fix brackets

For face fixing, first connect the bracket to the L-plate with the provided small screws, then use the hole in the back of the L-plate to secure it to the wall or window frame.

Fitting the brackets:

The outer brackets should be installed at least 70mm from each end of the blind. Any additional brackets should be spaced evenly across the remaining width.



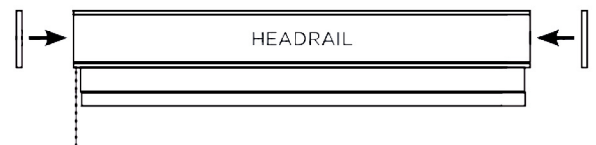
Before Drilling:

Before drilling, mark the hole positions and ensure each bracket is level by using two screws per bracket. Be sure to leave enough space for the blind to avoid any obstacles, such as window handles or dado rails, once installed.

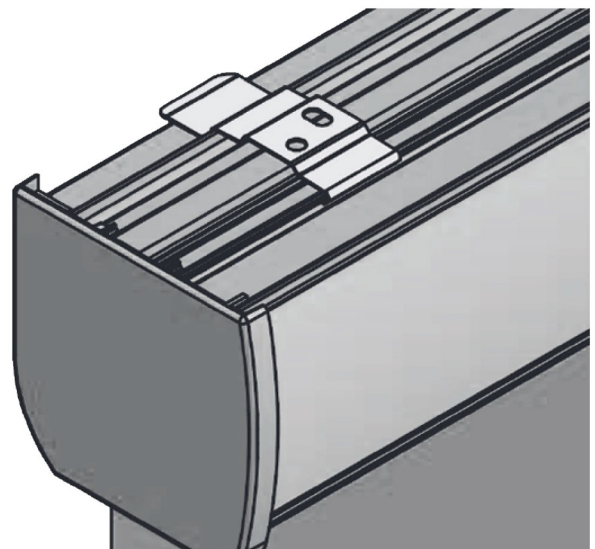
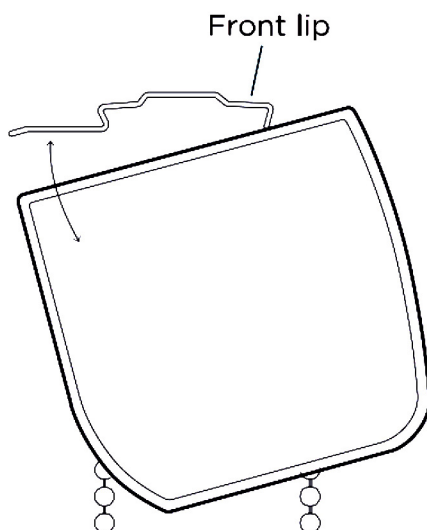
2

Fitting the cassette

Attach the cassette cover caps to each end of the headrail.



After installing all the brackets, align the blind with them. Hold the cassette at an angle, hooking the front lip along the top of the cassette, then push it upward until it snaps securely into the back lip of the bracket.



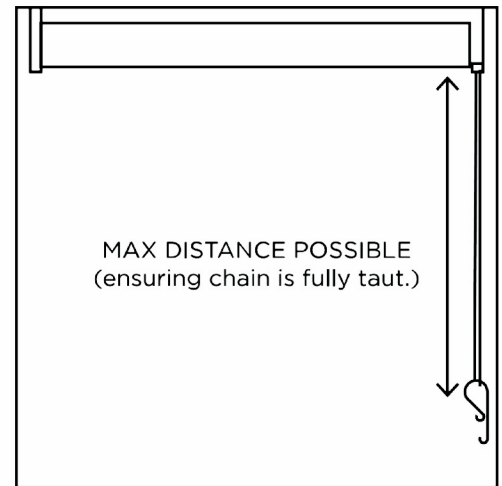
Safety Device

Safety Device

The safety device must be installed at the maximum distance possible from the control mechanism to prevent looped chain becoming slack.

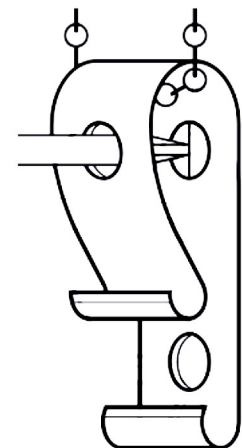
Place the safety device on the wall and mark the positioning of the 2 screw holes.

Drill holes using a suitable drill bit. Place device into position ensuring the chain is fully taut.



Fitting The Safety Device

Screw the safety device securely to the wall using suitable fixings.



PLEASE READ THE INSTRUCTIONS BEFORE OPERATING THIS PRODUCT

Standard Roll

(Fabric unrolls from behind blind)

1. To lower the fabric on the roller blind gently pull the operating chain closest to the window.
2. To raise the fabric on the blind gently pull the operating chain furthest from the window.
3. Where possible operating chain should be operated from just above the chain connector as this puts less pressure on this component, reducing the risk of snapping or pulling apart.

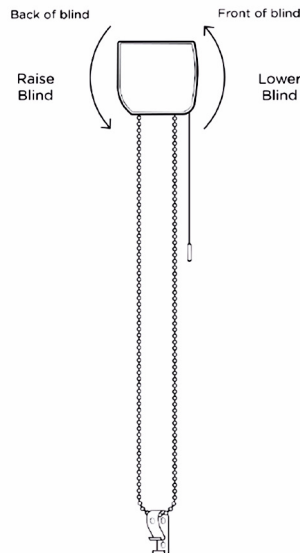
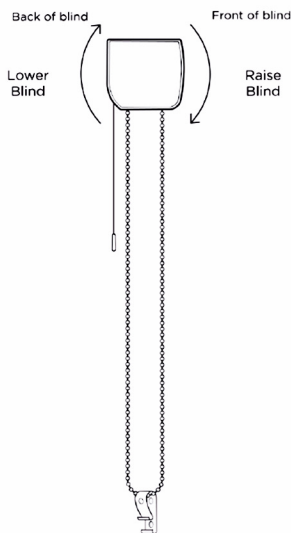
Reverse Roll

(Fabric unrolls from front of blind)

1. To lower the fabric on the roller blind gently pull the operating chain furthest from the window.
2. To raise the fabric on the roller blind gently pull the operating chain closest to the window.
3. Where possible operating chain should be operated from just above the chain connector as this puts less pressure on this component, reducing the risk of snapping or pulling apart.

Maintenance

The product is maintenance free however we recommend that regular visual checks are completed to ensure that no components have been damaged, which could result in operating difficulties and/or cause a safety risk. If any maintenance is required we recommend that the work is carried out immediately, by a reputable blind company.



WARNING

Young children can be strangled by loops in pull cords, chains, tapes and inner cords that operate the product.

To avoid strangulation and entanglement, keep cords out of the reach of young children.

Cords may become wrapped around a child's neck.

Move beds, cots and furniture away from window covering cords. Do not tie cords together. Make sure cords do not twist and create a loop.



make it safeTM

